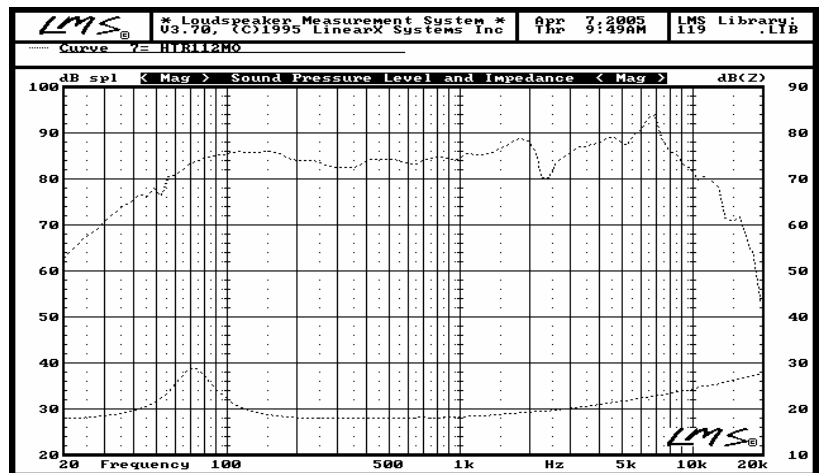


SPECIFICATIONS

Description	Mid-range
Size (in)	4
Nominal Diameter (mm)	112
Standard Impedance (Ohm)	8
Power RMS (Watts)	15
Power Program (Watts)	40
Sensitivity 1w/1m (dB)	85
Frequency Range (Hz)	70-9000
Basket Material	Stamped steel
Cone Material	Paper
Spider Material	Foam
Magnet Material	Ferrite
Magnet Weight (oz)	4
Voice Coil Material	Copper
Former Material	Aluminium
Voice Coil Diameter (mm)	20

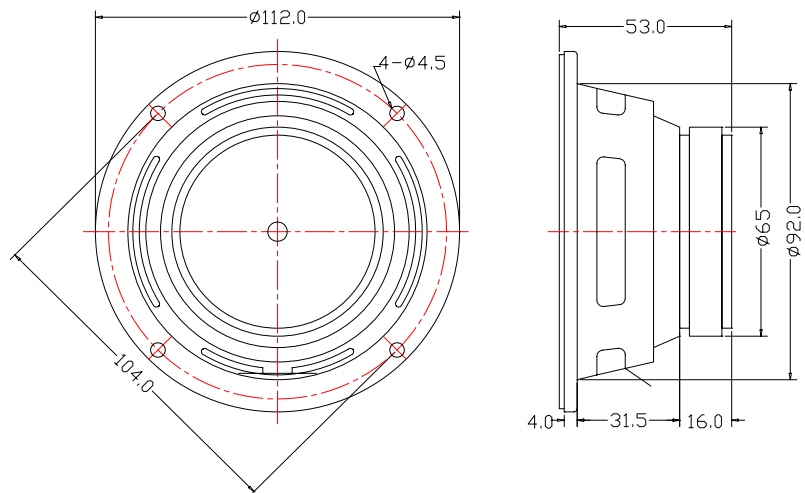


THIELE & SMALL PARAMETERS

Fs (Hz)	70
Re (Ohm)	6.8
Sd (sqmt)	0.0055
Qms	2.85
Qes	0.98
Qts	0.73
Vas (it)	5.58
Mms (gr)	3.98
Bl (T/m)	3.54
Xmax (mm)	0.9
Hvc (mm)	4.8
Hag (mm)	3

PACKING INFORMATION

Net Weight (kg)	0.38
Gross Weight (kg)	0.42
Pieces per carton	
Dimensions (cm)	



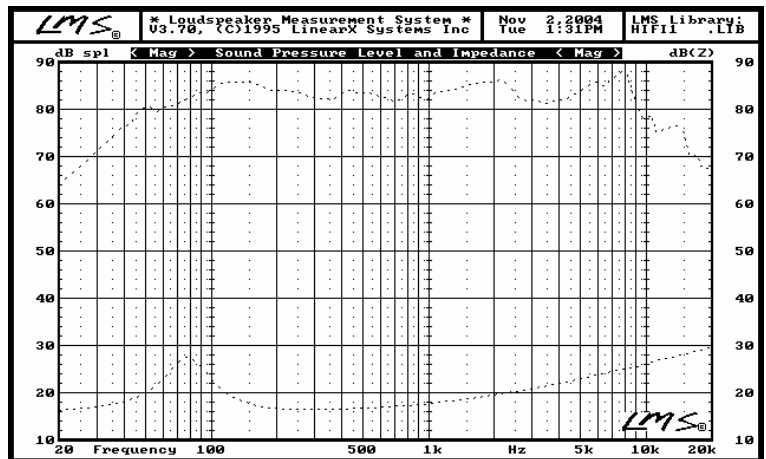
TECHNICAL DATA ARE MEASURED WITH LMS - EQUIPMENT ACCORDING EN - 60268 -5.

FOR PRODUCT IMPROVEMENT FDCAUDIO RESERVES ALTERATIONS IN SPECIFICATIONS AND DESIGN WITHOUT FURTHER ANNOUNCEMENT FOR TOLERANCES OF TECHNICAL DATA REFER TO FDCAUDIO 'S MANUAL OF TECHNICAL DATA

FOR INFORMATION CONTACT: TEL.:+86-592-2076023,FAX.:+86-592-2033445,E-MAIL:mengqi@fdcaudio.com

SPECIFICATIONS

Description	Mid-range
Size (in)	4
Nominal Diameter (mm)	116
Standard Impedance (Ohm)	8
Power RMS (Watts)	25
Power Program (Watts)	40
Sensitivity 1w/1m (dB)	83
Frequency Range (Hz)	75-9,000
Basket Material	Stamped steel
Cone Material	Coated paper
Spider Material	Rubber
Magnet Material	Ferrite
Magnet Weight (oz)	6
Voice Coil Material	Copper
Former Material	Aluminium
Voice Coil Diameter (mm)	25

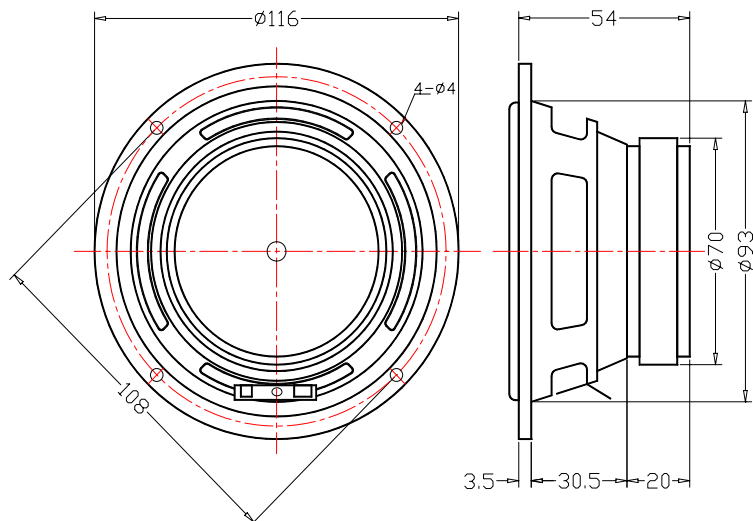


THIELE & SMALL PARAMETERS

Fs (Hz)	75
Re (Ohm)	6.2
Sd (sqmt)	0.0053
Qms	2.55
Qes	1.03
Qts	0.73
Vas (it)	3.01
Mms (gr)	5.91
Bl (T/m)	4.30
Xmax (mm)	1.5
Hvc (mm)	6.8
Hag (mm)	4

PACKING INFORMATION

Net Weight (kg)	0.5
Gross Weight (kg)	
Pieces per carton	
Dimensions (cm)	



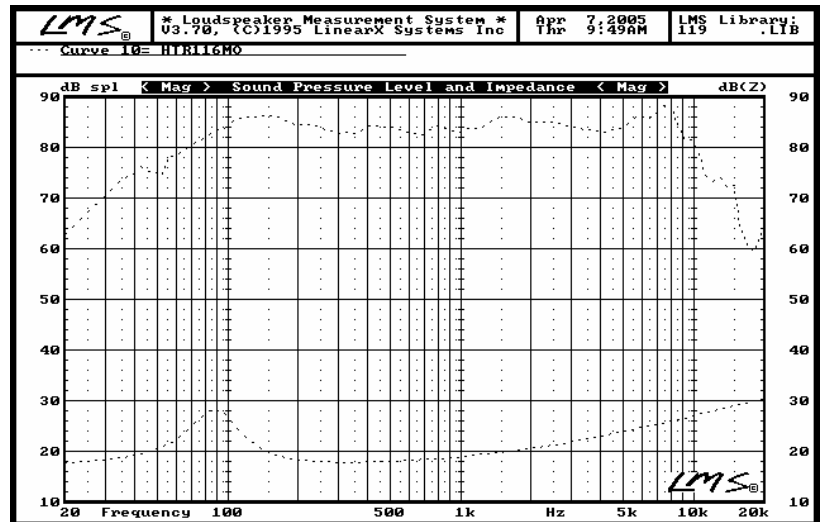
TECHNICAL DATA ARE MEASURED WITH LMS - EQUIPMENT ACCORDING EN - 60268 -5.

FOR PRODUCT IMPROVEMENT FDCAUDIO RESERVES ALTERATIONS IN SPECIFICATIONS AND DESIGN WITHOUT FURTHER ANNOUNCEMENT FOR TOLERANCES OF TECHNICAL DATA REFER TO FDCAUDIO 'S MANUAL OF TECHNICAL DATA

FOR INFORMATION CONTACT: TEL.:+86-592-2076023,FAX.:+86-592-2033445,E-MAIL:mengqi@fdcaudio.com

SPECIFICATIONS

Description	Mid-range
Size (in)	4
Nominal Diameter (mm)	116
Standard Impedance (Ohm)	8
Power RMS (Watts)	15
Power Program (Watts)	40
Sensitivity 1w/1m (dB)	84
Frequency Range (Hz)	90-11000
Basket Material	Stamped steel
Cone Material	PP
Spider Material	Rubber
Magnet Material	Ferrite
Magnet Weight (oz)	6.3
Voice Coil Material	Copper
Former Material	Aluminium
Voice Coil Diameter (mm)	25

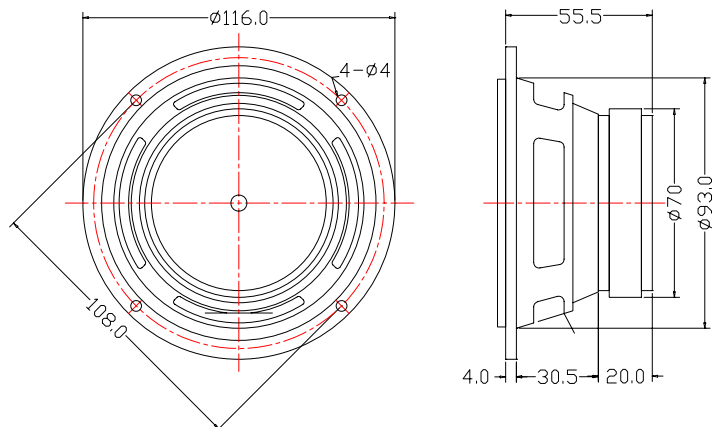


THIELE & SMALL PARAMETERS

Fs (Hz)	90
Re (Ohm)	6.8
Sd (sqm)	0.0055
Qms	2.28
Qes	0.84
Qts	0.61
Vas (it)	2.44
Mms (gr)	5.96
Bl (T/m)	5.15
Xmax (mm)	1.6
Hvc (mm)	7.2
Hag (mm)	4

PACKING INFORMATION

Net Weight (kg)	0.5
Gross Weight (kg)	0.55
Pieces per carton	
Dimensions (cm)	



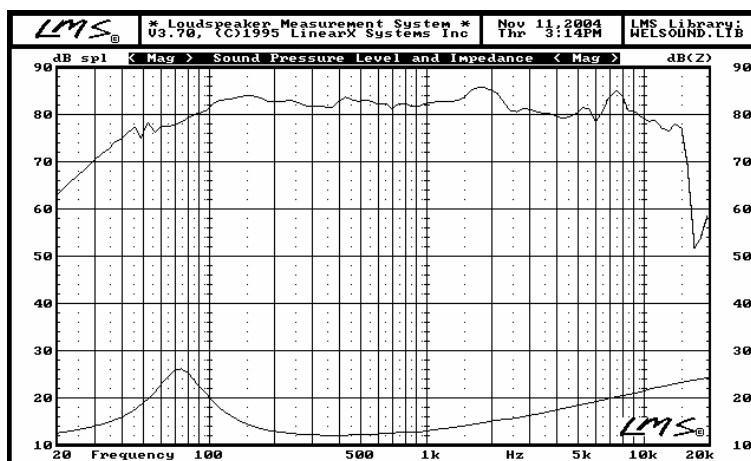
TECHNICAL DATA ARE MEASURED WITH LMS - EQUIPMENT ACCORDING EN - 60268 -5.

FOR PRODUCT IMPROVEMENT FDCAUDIO RESERVES ALTERATIONS IN SPECIFICATIONS AND DESIGN WITHOUT FURTHER ANNOUNCEMENT FOR TOLERANCES OF TECHNICAL DATA REFER TO FDCAUDIO 'S MANUAL OF TECHNICAL DATA

FOR INFORMATION CONTACT: TEL.:+86-592-2076023,FAX.:+86-592-2033445,E-MAIL:mengqi@fdcaudio.com

SPECIFICATIONS

Description	Mid-range
Size (in)	4
Nominal Diameter (mm)	116
Standard Impedance (Ohm)	4
Power RMS (Watts)	25
Power Program (Watts)	50
Sensitivity 1w/1m (dB)	82
Frequency Range (Hz)	70-12,000
Basket Material	Stamped steel
Cone Material	Glass-fiber
Spider Material	Rubber
Magnet Material	Ferrite
Magnet Weight (oz)	11
Voice Coil Material	Copper
Former Material	Aluminium
Voice Coil Diameter (mm)	25

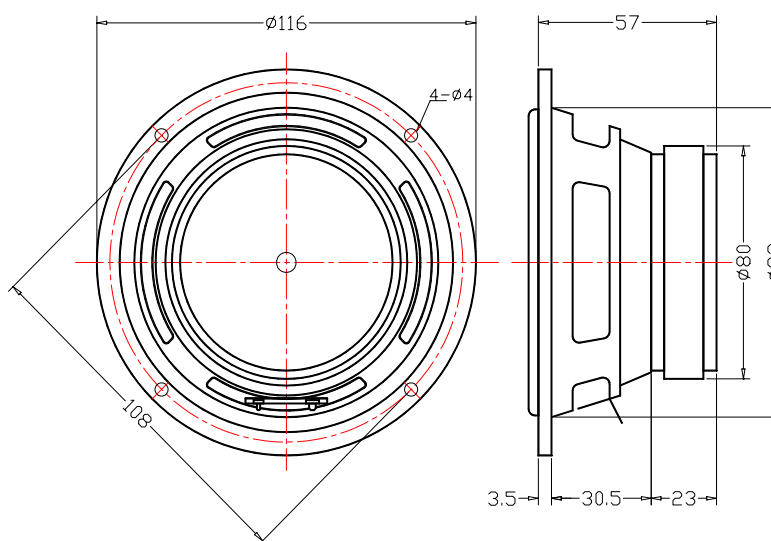


THIELE & SMALL PARAMETERS

Fs (Hz)	70
Re (Ohm)	3.2
Sd (sqmt)	0.004
Qms	2.79
Qes	0.53
Qts	0.44
Vas (it)	1.31
Mms (gr)	5.91
Bl (T/m)	4.1
Xmax (mm)	1.5
Hvc (mm)	6.8
Hag (mm)	4

PACKING INFORMATION

Net Weight (kg)	0.7
Gross Weight (kg)	
Pieces per carton	
Dimensions (cm)	



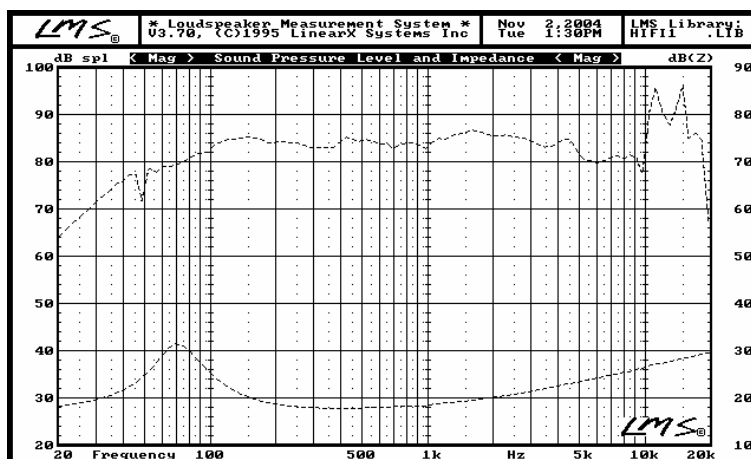
TECHNICAL DATA ARE MEASURED WITH LMS – EQUIPMENT ACCORDING EN – 60268 –5.

FOR PRODUCT IMPROVEMENT FDCAUDIO RESERVES ALTERATIONS IN SPECIFICATIONS AND DESIGN WITHOUT FURTHER ANNOUNCEMENT FOR TOLERANCES OF TECHNICAL DATA REFER TO FDCAUDIO 'S MANUAL OF TECHNICAL DATA

FOR INFORMATION CONTACT: TEL.:+86-592-2076023,FAX.:+86-592-2033445,E-MAIL:mengqi@fdcaudio.com

SPECIFICATIONS

Description	Mid-range
Size (in)	4
Nominal Diameter (mm)	116
Standard Impedance (Ohm)	8
Power RMS (Watts)	25
Power Program (Watts)	50
Sensitivity 1w/1m (dB)	84
Frequency Range (Hz)	70-10,000
Basket Material	Stamped steel
Cone Material	Aluminium
Spider Material	Rubber
Magnet Material	Ferrite
Magnet Weight (oz)	11
Voice Coil Material	Copper
Former Material	Aluminium
Voice Coil Diameter (mm)	25

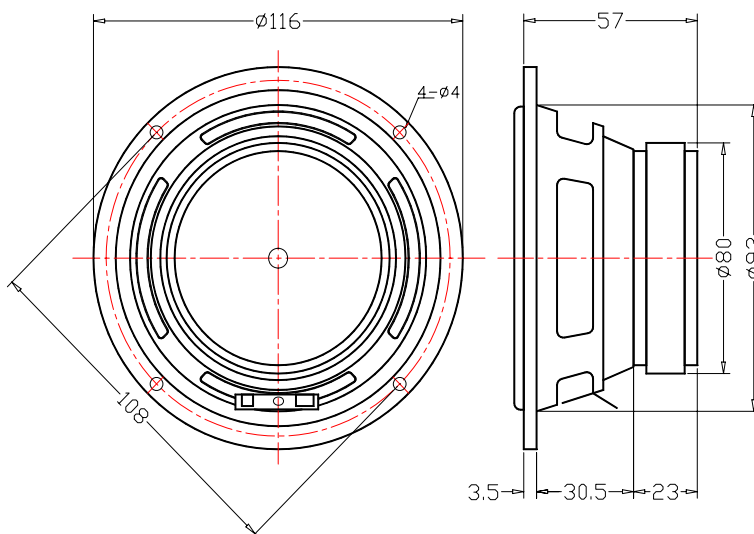


THIELE & SMALL PARAMETERS

Fs (Hz)	70
Re (Ohm)	6.8
Sd (sqmt)	0.0057
Qms	2.62
Qes	0.57
Qts	0.47
Vas (it)	4.05
Mms (gr)	5.91
Bl (T/m)	5.58
Xmax (mm)	1.5
Hvc (mm)	6.8
Hag (mm)	4

PACKING INFORMATION

Net Weight (kg)	0.7
Gross Weight (kg)	
Pieces per carton	
Dimensions (cm)	



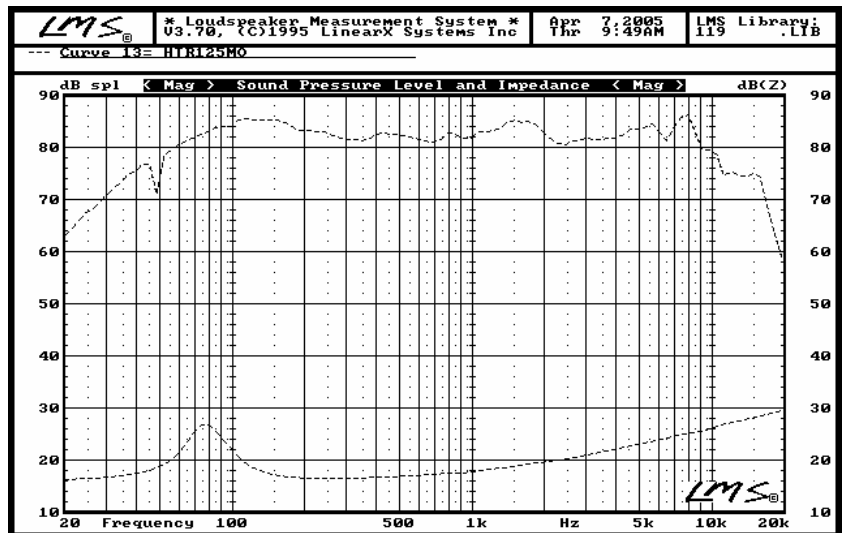
TECHNICAL DATA ARE MEASURED WITH LMS - EQUIPMENT ACCORDING EN - 60268 -5.

FOR PRODUCT IMPROVEMENT FDCAUDIO RESERVES ALTERATIONS IN SPECIFICATIONS AND DESIGN WITHOUT FURTHER ANNOUNCEMENT FOR TOLERANCES OF TECHNICAL DATA REFER TO FDCAUDIO 'S MANUAL OF TECHNICAL DATA

FOR INFORMATION CONTACT: TEL.:+86-592-2076023,FAX.:+86-592-2033445,E-MAIL:mengqi@fdcaudio.com

SPECIFICATIONS

Description	Mid-range
Size (in)	4
Nominal Diameter (mm)	125
Standard Impedance (Ohm)	8
Power RMS (Watts)	30
Power Program (Watts)	60
Sensitivity 1w/1m (dB)	84
Frequency Range (Hz)	75-10000
Basket Material	Stamped steel
Cone Material	Coated Paper
Spider Material	Rubber
Magnet Material	Ferrite
Magnet Weight (oz)	4+3
Voice Coil Material	Copper
Former Material	Aluminium
Voice Coil Diameter (mm)	25

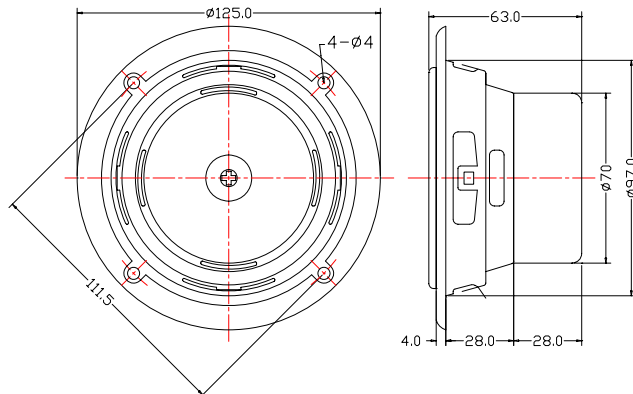


THIELE & SMALL PARAMETERS

Fs (Hz)	75
Re (Ohm)	5.6
Sd (sqmt)	0.0055
Qms	2.85
Qes	1.08
Qts	0.78
Vas(it)	3.96
Mms (gr)	4.84
Bl (T/m)	3.53
Xmax (mm)	1.7
Hvc (mm)	7.3
Hag (mm)	4

PACKING INFORMATION

Net Weight (kg)	0.7
Gross Weight (kg)	0.75
Pieces per carton	
Dimensions (cm)	



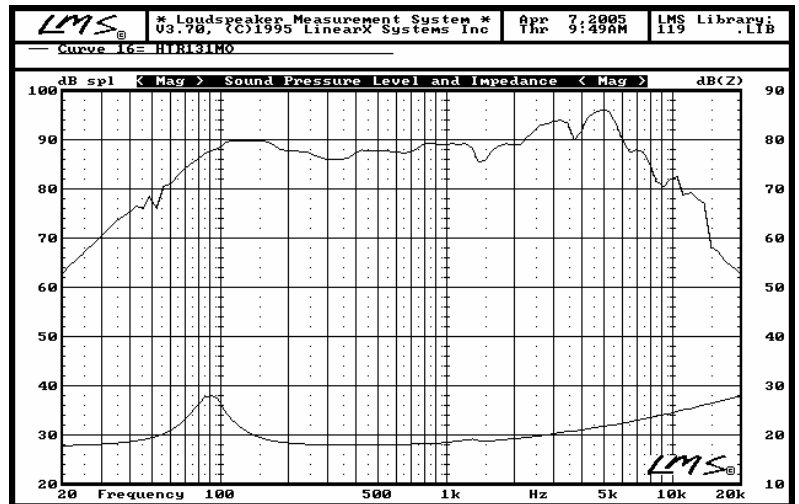
TECHNICAL DATA ARE MEASURED WITH LMS – EQUIPMENT ACCORDING EN – 60268 –5.

FOR PRODUCT IMPROVEMENT FDCAUDIO RESERVES ALTERATIONS IN SPECIFICATIONS AND DESIGN WITHOUT FURTHER ANNOUNCEMENT FOR TOLERANCES OF TECHNICAL DATA REFER TO FDCAUDIO 'S MANUAL OF TECHNICAL DATA

FOR INFORMATION CONTACT: TEL.:+86-592-2076023,FAX.:+86-592-2033445,E-MAIL:mengqi@fdcaudio.com

SPECIFICATIONS

Description	Mid-range
Size (in)	5
Nominal Diameter (mm)	131
Standard Impedance (Ohm)	8
Power RMS (Watts)	20
Power Program (Watts)	50
Sensitivity 1w/1m (dB)	88
Frequency Range (Hz)	90-12000
Basket Material	Stamped steel
Cone Material	Paper
Spider Material	Foam
Magnet Material	Ferrite
Magnet Weight (oz)	6.3
Voice Coil Material	Copper
Former Material	Aluminium
Voice Coil Diameter (mm)	20

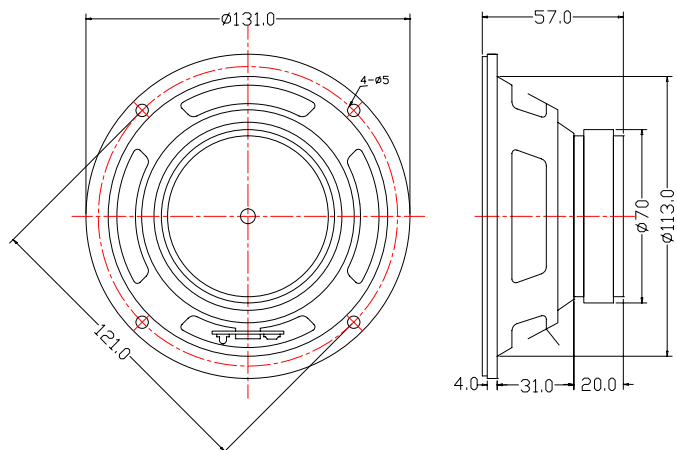


THIELE & SMALL PARAMETERS

Fs (Hz)	90
Re (Ohm)	6.8
Sd (sqmt)	0.0083
Qms	2.85
Qes	1.41
Qts	0.94
Vas (it)	4.21
Mms (gr)	10.28
Bl (T/m)	4.94
Xmax (mm)	0.9
Hvc (mm)	4.8
Hag (mm)	4

PACKING INFORMATION

Net Weight (kg)	0.48
Gross Weight (kg)	0.53
Pieces per carton	
Dimensions (cm)	



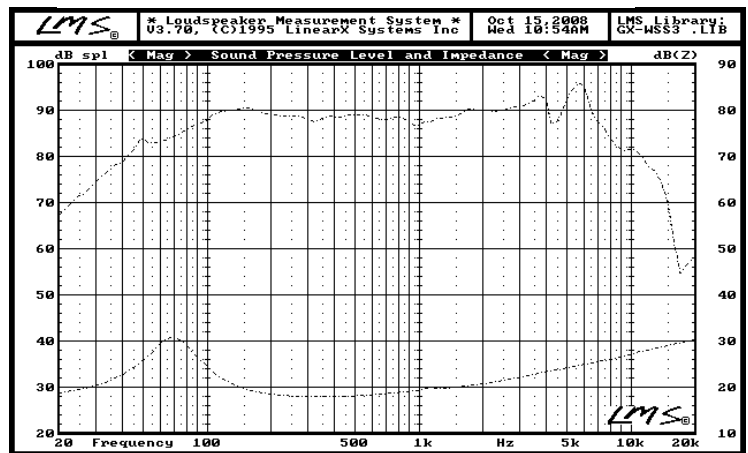
TECHNICAL DATA ARE MEASURED WITH LMS - EQUIPMENT ACCORDING EN - 60268 -5.

FOR PRODUCT IMPROVEMENT FDCAUDIO RESERVES ALTERATIONS IN SPECIFICATIONS AND DESIGN WITHOUT FURTHER ANNOUNCEMENT FOR TOLERANCES OF TECHNICAL DATA REFER TO FDCAUDIO 'S MANUAL OF TECHNICAL DATA

FOR INFORMATION CONTACT: TEL.:+86-592-2076023,FAX.:+86-592-2033445,E-MAIL:mengqi@fdcaudio.com

SPECIFICATIONS

Description	Mid-range
Size (in)	5
Nominal Diameter (mm)	131
Standard Impedance (Ohm)	8
Power RMS (Watts)	20
Power Program (Watts)	50
Sensitivity 1w/1m (dB)	89
Frequency Range (Hz)	70-6500
Basket Material	Stamped steel
Cone Material	Coated Paper
Spider Material	Rubber
Magnet Material	Ferrite
Magnet Weight (oz)	11.2
Voice Coil Material	Copper
Former Material	Aluminium
Voice Coil Diameter (mm)	25

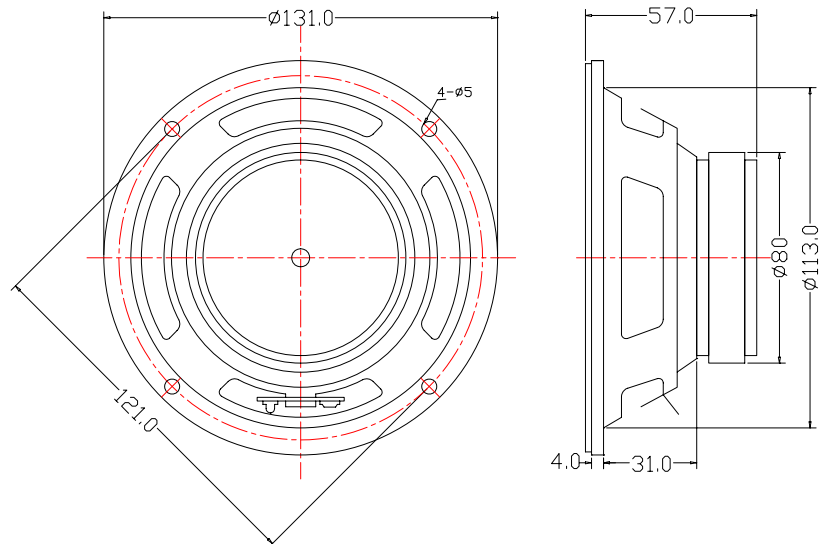


THIELE & SMALL PARAMETERS

Fs (Hz)	70
Re (Ohm)	7.0
Sd (sqmt)	0.0078
Qms	2.34
Qes	0.60
Qts	0.48
Vas (it)	6.58
Mms (gr)	7.23
Bl (T/m)	5.6
Xmax (mm)	2
Hvc (mm)	8
Hag (mm)	4

PACKING INFORMATION

Net Weight (kg)	0.48
Gross Weight (kg)	0.53
Pieces per carton	
Dimensions (cm)	



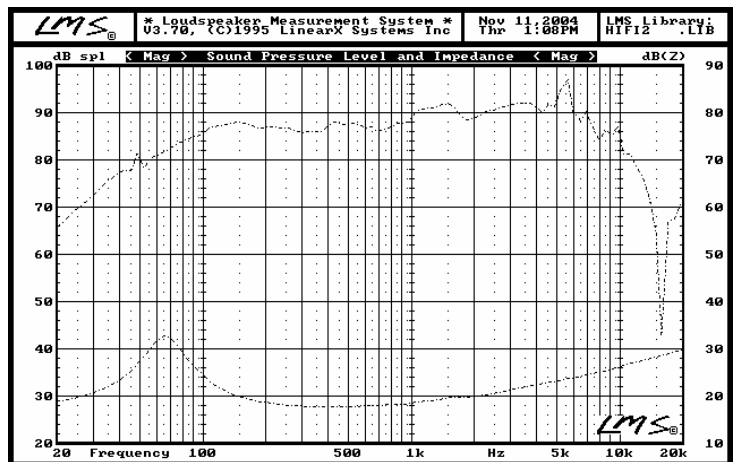
TECHNICAL DATA ARE MEASURED WITH LMS – EQUIPMENT ACCORDING EN – 60268 –5.

FOR PRODUCT IMPROVEMENT FDCAUDIO RESERVES ALTERATIONS IN SPECIFICATIONS AND DESIGN WITHOUT FURTHER ANNOUNCEMENT FOR TOLERANCES OF TECHNICAL DATA REFER TO FDCAUDIO 'S MANUAL OF TECHNICAL DATA

FOR INFORMATION CONTACT: TEL.:+86-592-2076023,FAX.:+86-592-2033445,E-MAIL:mengqi@fdcaudio.com

SPECIFICATIONS

Description	Mid-range
Size (in)	5
Nominal Diameter (mm)	147
Standard Impedance (Ohm)	8
Power RMS (Watts)	25
Power Program (Watts)	50
Sensitivity 1w/1m (dB)	88
Frequency Range (Hz)	60-11,000
Basket Material	Stamped steel
Cone Material	Coated paper
Spider Material	Rubber
Magnet Material	Ferrite
Magnet Weight (oz)	11
Voice Coil Material	Copper
Former Material	Aluminium
Voice Coil Diameter (mm)	25

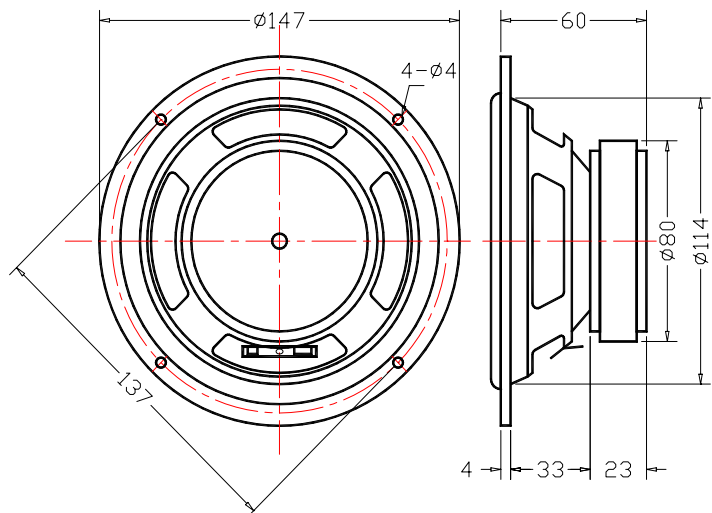


THIELE & SMALL PARAMETERS

Fs (Hz)	65
Re (Ohm)	6.2
Sd (sqmt)	0.0080
Qms	2.80
Qes	0.52
Qts	0.44
Vas (it)	9.03
Mms (gr)	5.91
Bl (T/m)	5.65
Xmax (mm)	1.5
Hvc (mm)	6.8
Hag (mm)	4

PACKING INFORMATION

Net Weight (kg)	0.75
Gross Weight (kg)	
Pieces per carton	
Dimensions (cm)	



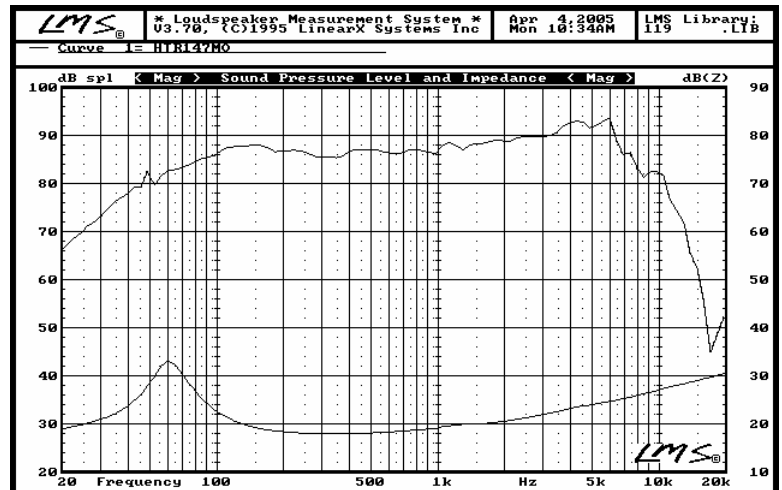
TECHNICAL DATA ARE MEASURED WITH LMS - EQUIPMENT ACCORDING EN - 60268 -5.

FOR PRODUCT IMPROVEMENT FDCAUDIO RESERVES ALTERATIONS IN SPECIFICATIONS AND DESIGN WITHOUT FURTHER ANNOUNCEMENT FOR TOLERANCES OF TECHNICAL DATA REFER TO FDCAUDIO 'S MANUAL OF TECHNICAL DATA

FOR INFORMATION CONTACT: TEL.:+86-592-2076023,FAX.:+86-592-2033445,E-MAIL:mengqi@fdcaudio.com

SPECIFICATIONS

Description	Mid-range
Size (in)	5
Nominal Diameter (mm)	147
Standard Impedance (Ohm)	8
Power RMS (Watts)	25
Power Program (Watts)	75
Sensitivity 1w/1m (dB)	88
Frequency Range (Hz)	60-10000
Basket Material	Stamped steel
Cone Material	PP
Spider Material	Rubber
Magnet Material	Ferrite
Magnet Weight (oz)	11
Voice Coil Material	Copper
Former Material	Aluminium
Voice Coil Diameter (mm)	25

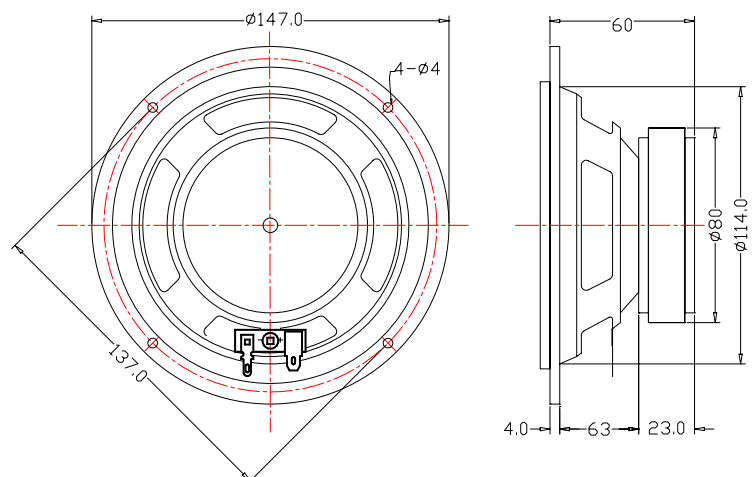


THIELE & SMALL PARAMETERS

Fs (Hz)	60
Re (Ohm)	6.8
Sd (sqmt)	0.0087
Qms	3.10
Qes	0.60
Qts	0.50
Vas (it)	10.01
Mms (gr)	7.26
Bl (T/m)	5.73
Xmax (mm)	1.7
Hvc (mm)	7.3
Hag (mm)	4

PACKING INFORMATION

Net Weight (kg)	0.78
Gross Weight (kg)	0.87
Pieces per carton	
Dimensions (cm)	



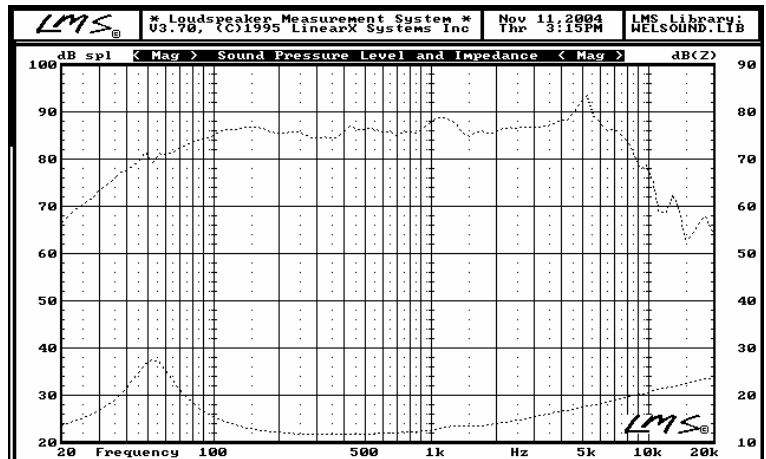
TECHNICAL DATA ARE MEASURED WITH LMS - EQUIPMENT ACCORDING EN - 60268 -5.

FOR PRODUCT IMPROVEMENT FDCAUDIO RESERVES ALTERATIONS IN SPECIFICATIONS AND DESIGN WITHOUT FURTHER ANNOUNCEMENT FOR TOLERANCES OF TECHNICAL DATA REFER TO FDCAUDIO 'S MANUAL OF TECHNICAL DATA

FOR INFORMATION CONTACT: TEL.:+86-592-2076023,FAX.:+86-592-2033445,E-MAIL:mengqi@fdcaudio.com

SPECIFICATIONS

Description	Mid-range
Size (in)	5
Nominal Diameter (mm)	147
Standard Impedance (Ohm)	4
Power RMS (Watts)	30
Power Program (Watts)	60
Sensitivity 1w/1m (dB)	88
Frequency Range (Hz)	55-1200
Basket Material	Stamped steel
Cone Material	Glass-fiber
Spider Material	Rubber
Magnet Material	Ferrite
Magnet Weight (oz)	12
Voice Coil Material	Copper
Former Material	Aluminium
Voice Coil Diameter (mm)	25

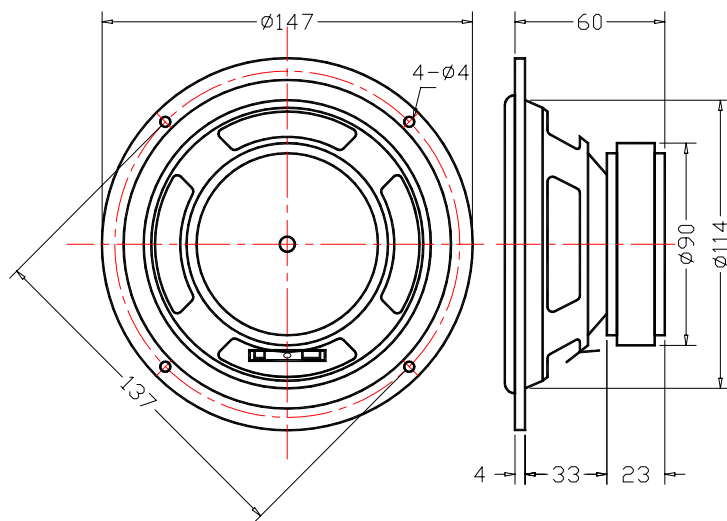


THIELE & SMALL PARAMETERS

Fs (Hz)	55
Re (Ohm)	3.2
Sd (sqm)	0.0085
Qms	2.93
Qes	0.43
Qts	0.38
Vas (it)	11.71
Mms (gr)	7.88
Bl (T/m)	4.40
Xmax (mm)	1.5
Hvc (mm)	6.8
Hag (mm)	4

PACKING INFORMATION

Net Weight (kg)	0.9
Gross Weight (kg)	
Pieces per carton	
Dimensions (cm)	



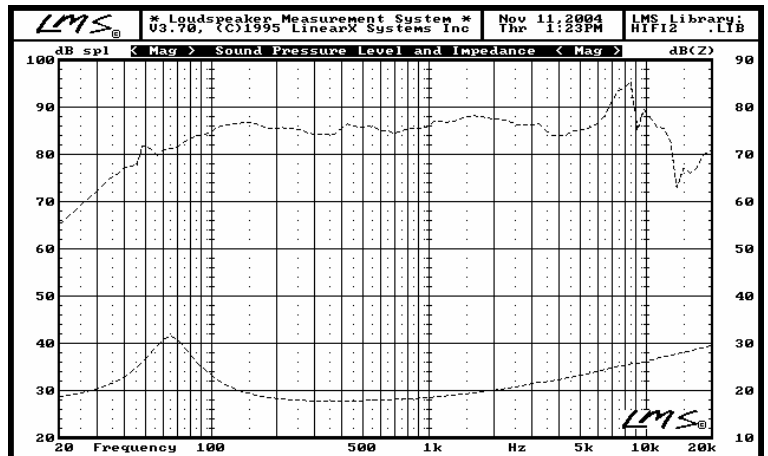
TECHNICAL DATA ARE MEASURED WITH LMS - EQUIPMENT ACCORDING EN - 60268 -5.

FOR PRODUCT IMPROVEMENT FDCAUDIO RESERVES ALTERATIONS IN SPECIFICATIONS AND DESIGN WITHOUT FURTHER ANNOUNCEMENT FOR TOLERANCES OF TECHNICAL DATA REFER TO FDCAUDIO 'S MANUAL OF TECHNICAL DATA

FOR INFORMATION CONTACT: TEL.:+86-592-2076023,FAX.:+86-592-2033445,E-MAIL:mengqi@fdcaudio.com

SPECIFICATIONS

Description	Mid-range
Size (in)	5
Nominal Diameter (mm)	147
Standard Impedance (Ohm)	8
Power RMS (Watts)	30
Power Program (Watts)	60
Sensitivity 1w/1m (dB)	86
Frequency Range (Hz)	55-13,000
Basket Material	Stamped steel
Cone Material	Aluminium
Spider Material	Rubber
Magnet Material	Ferrite
Magnet Weight (oz)	12
Voice Coil Material	Copper
Former Material	Aluminium
Voice Coil Diameter (mm)	25

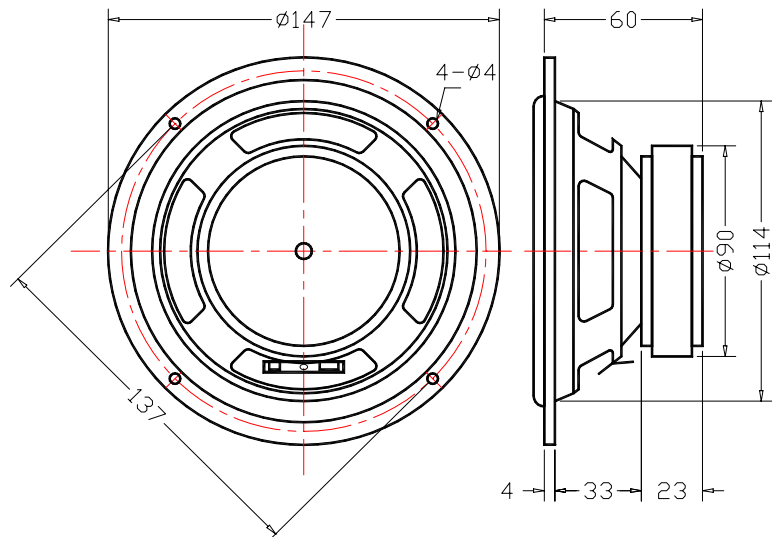


THIELE & SMALL PARAMETERS

Fs (Hz)	65
Re (Ohm)	6.2
Sd (sqmt)	0.0080
Qms	2.48
Qes	0.52
Qts	0.43
Vas (it)	6.93
Mms (gr)	7.71
Bl (T/m)	6.13
Xmax (mm)	1.5
Hvc (mm)	6.8
Hag (mm)	4

PACKING INFORMATION

Net Weight (kg)	0.9
Gross Weight (kg)	
Pieces per carton	
Dimensions (cm)	



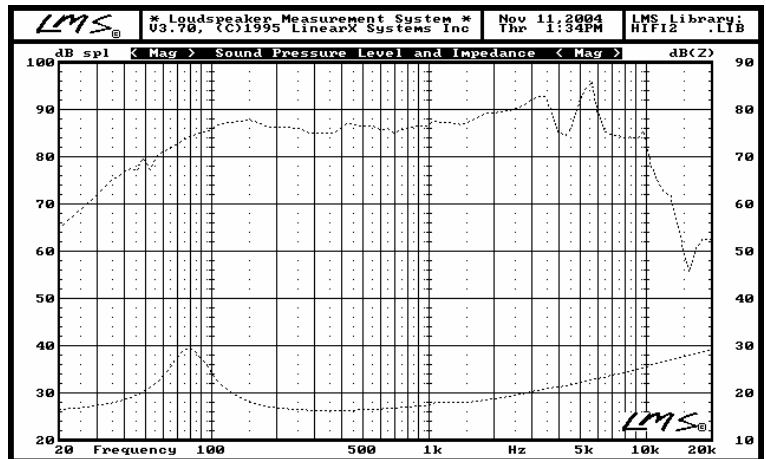
TECHNICAL DATA ARE MEASURED WITH LMS - EQUIPMENT ACCORDING EN - 60268 -5.

FOR PRODUCT IMPROVEMENT FDCAUDIO RESERVES ALTERATIONS IN SPECIFICATIONS AND DESIGN WITHOUT FURTHER ANNOUNCEMENT FOR TOLERANCES OF TECHNICAL DATA REFER TO FDCAUDIO 'S MANUAL OF TECHNICAL DATA

FOR INFORMATION CONTACT: TEL.:+86-592-2076023,FAX.:+86-592-2033445,E-MAIL:mengqi@fdcaudio.com

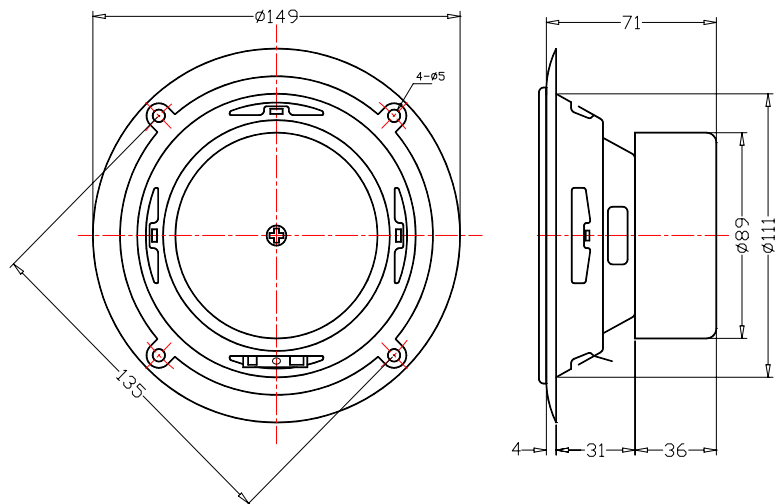
SPECIFICATIONS

Description	Mid-range
Size (in)	5
Nominal Diameter (mm)	149
Standard Impedance (Ohm)	8
Power RMS (Watts)	30
Power Program (Watts)	60
Sensitivity 1w/1m (dB)	86
Frequency Range (Hz)	65-10,000
Basket Material	Stamped steel
Cone Material	Coated paper
Spider Material	Rubber
Magnet Material	Ferrite
Magnet Weight (oz)	7.9+3.5
Voice Coil Material	Copper
Former Material	Aluminium
Voice Coil Diameter (mm)	25



THIELE & SMALL PARAMETERS

Fs (Hz)	75
Re (Ohm)	6.2
Sd (sqmt)	0.0075
Qms	3.12
Qes	0.81
Qts	0.64
Vas (it)	6.03
Mms (gr)	5.91
Bl (T/m)	4.64
Xmax (mm)	1.1
Hvc (mm)	7.2
Hag (mm)	5



PACKING INFORMATION

Net Weight (kg)	0.95
Gross Weight (kg)	
Pieces per carton	
Dimensions (cm)	

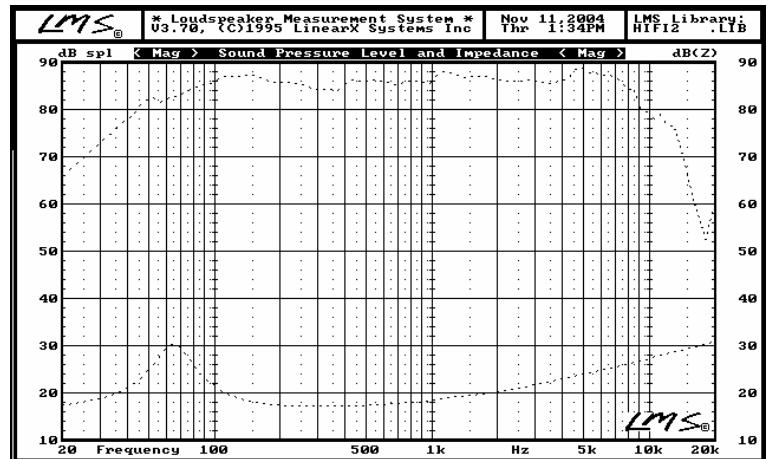
TECHNICAL DATA ARE MEASURED WITH LMS - EQUIPMENT ACCORDING EN - 60268 -5.

FOR PRODUCT IMPROVEMENT FDCAUDIO RESERVES ALTERATIONS IN SPECIFICATIONS AND DESIGN WITHOUT FURTHER ANNOUNCEMENT FOR TOLERANCES OF TECHNICAL DATA REFER TO FDCAUDIO 'S MANUAL OF TECHNICAL DATA

FOR INFORMATION CONTACT: TEL.:+86-592-2076023,FAX.:+86-592-2033445,E-MAIL:mengqi@fdcaudio.com

SPECIFICATIONS

Description	Mid-range
Size (in)	5
Nominal Diameter (mm)	146
Standard Impedance (Ohm)	8
Power RMS (Watts)	30
Power Program (Watts)	60
Sensitivity 1w/1m (dB)	86
Frequency Range (Hz)	60-8,000
Basket Material	Stamped steel
Cone Material	Coated paper
Spider Material	Rubber
Magnet Material	Ferrite
Magnet Weight (oz)	7.9+3.5
Voice Coil Material	Copper
Former Material	Aluminium
Voice Coil Diameter (mm)	25

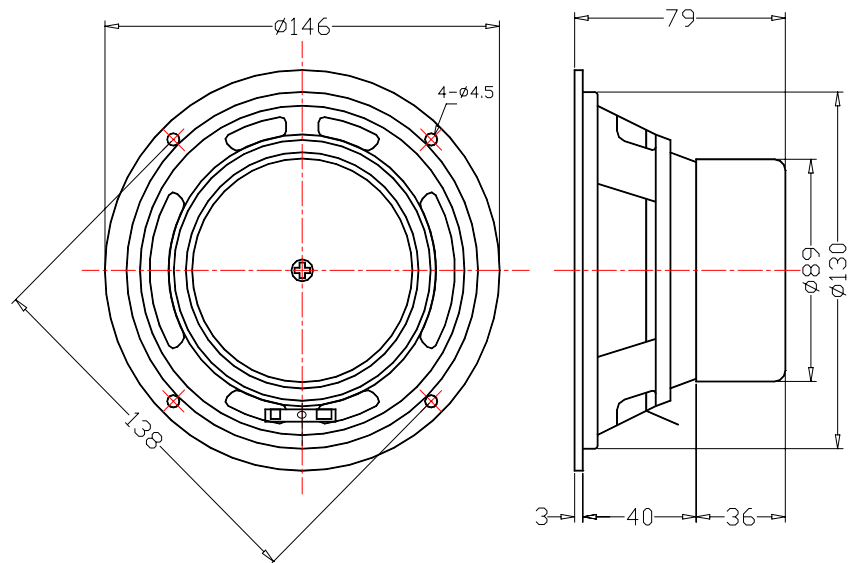


THIELE & SMALL PARAMETERS

Fs (Hz)	66
Re (Ohm)	6.2
Sd (sqmt)	0.0082
Qms	3.12
Qes	0.74
Qts	0.60
Vas (it)	7.28
Mms (gr)	7.71
Bl (T/m)	5.17
Xmax (mm)	2.5
Hvc (mm)	9.8
Hag (mm)	4

PACKING INFORMATION

Net Weight (kg)	1.0
Gross Weight (kg)	
Pieces per carton	
Dimensions (cm)	



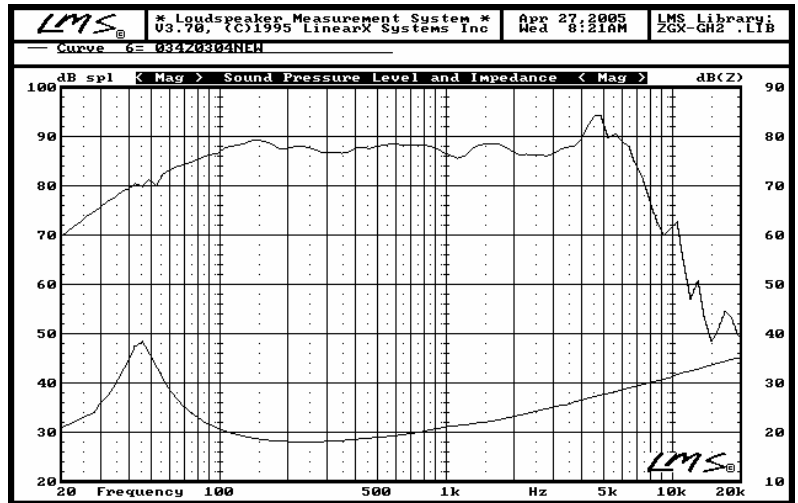
TECHNICAL DATA ARE MEASURED WITH LMS - EQUIPMENT ACCORDING EN - 60268 -5.

FOR PRODUCT IMPROVEMENT FDCAUDIO RESERVES ALTERATIONS IN SPECIFICATIONS AND DESIGN WITHOUT FURTHER ANNOUNCEMENT FOR TOLERANCES OF TECHNICAL DATA REFER TO FDCAUDIO 'S MANUAL OF TECHNICAL DATA

FOR INFORMATION CONTACT: TEL.:+86-592-2076023,FAX.:+86-592-2033445,E-MAIL:mengqi@fdcaudio.com

SPECIFICATIONS

Description	Mid-range
Size (in)	6.5"
Nominal Diameter (mm)	178
Standard Impedance (Ohm)	8
Power RMS (Watts)	50
Power Program (Watts)	100
Sensitivity 1w/1m (dB)	88
Frequency Range (Hz)	45-6000
Basket Material	Stamped steel
Cone Material	PAPER
Spider Material	Rubber
Magnet Material	Ferrite
Magnet Weight (oz)	21.6
Voice Coil Material	Copper
Former Material	KAPTON
Voice Coil Diameter (mm)	35

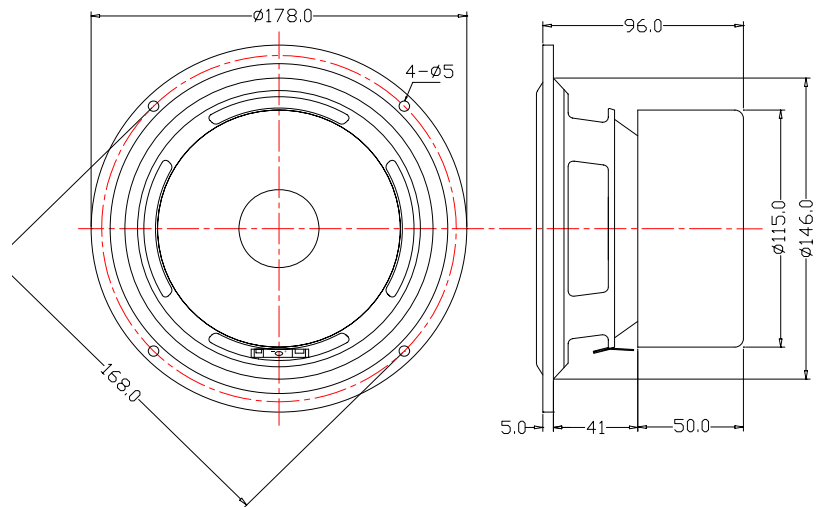


THIELE & SMALL PARAMETERS

Fs (Hz)	45
Re (Ohm)	6.5
Sd (sqm)	0.0124
Qms	3.13
Qes	0.41
Qts	0.36
Vas (it) Mms (gr)	16.43
Bl (T/m)	7.94
Xmax (mm)	4
Hvc (mm)	14
Hag (mm)	6

PACKING INFORMATION

Net Weight (kg)	1.82
Gross Weight (kg)	2.0
Pieces per carton	
Dimensions (cm)	



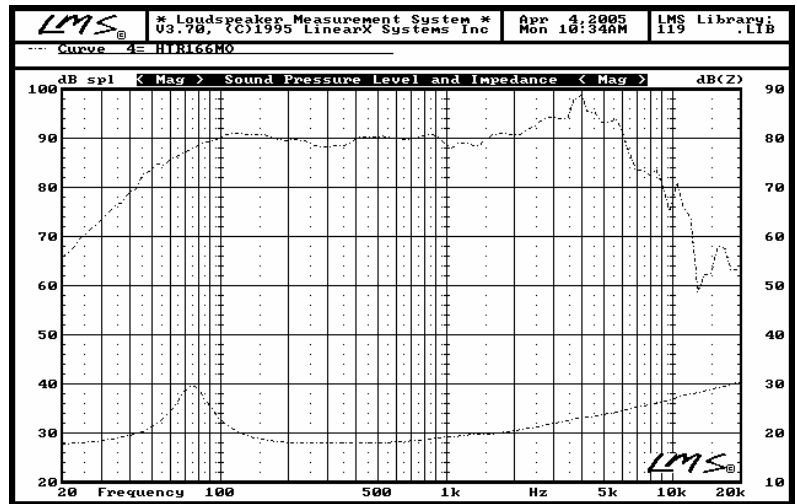
TECHNICAL DATA ARE MEASURED WITH LMS - EQUIPMENT ACCORDING EN - 60268 -5.

FOR PRODUCT IMPROVEMENT FDCAUDIO RESERVES ALTERATIONS IN SPECIFICATIONS AND DESIGN WITHOUT FURTHER ANNOUNCEMENT FOR TOLERANCES OF TECHNICAL DATA REFER TO FDCAUDIO 'S MANUAL OF TECHNICAL DATA

FOR INFORMATION CONTACT: TEL.:+86-592-2076023,FAX.:+86-592-2033445,E-MAIL:mengqi@fdcaudio.com

SPECIFICATIONS

Description	Mid-range
Size (in)	6
Nominal Diameter (mm)	166
Standard Impedance (Ohm)	8
Power RMS (Watts)	40
Power Program (Watts)	90
Sensitivity 1w/1m (dB)	90
Frequency Range (Hz)	75-9000
Basket Material	Stamped steel
Cone Material	Paper
Spider Material	Foam
Magnet Material	Ferrite
Magnet Weight (oz)	9
Voice Coil Material	Copper
Former Material	Aluminium
Voice Coil Diameter (mm)	25

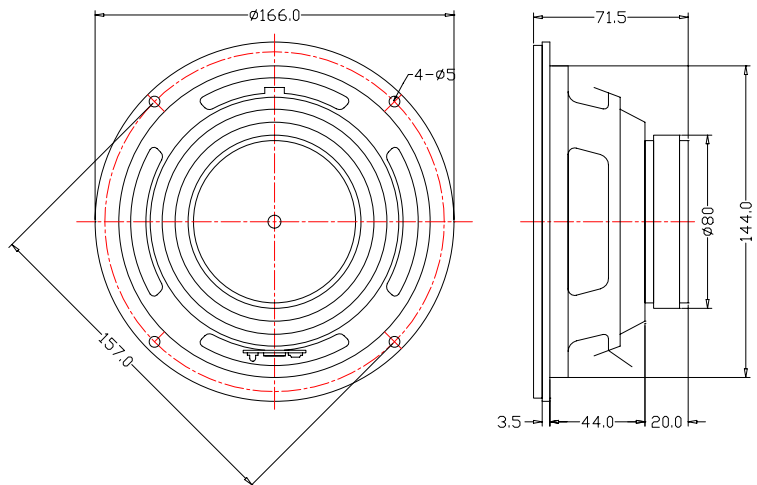


THIELE & SMALL PARAMETERS

Fs (Hz)	75
Re (Ohm)	6.8
Sd (sqmt)	0.0139
Qms	3.40
Qes	0.99
Qts	0.77
Vas (it)	10.33
Mms (gr)	11.82
Bl (T/m)	6.21
Xmax (mm)	1.7
Hvc (mm)	7.3
Hag (mm)	4

PACKING INFORMATION

Net Weight (kg)	0.72
Gross Weight (kg)	0.81
Pieces per carton	
Dimensions (cm)	



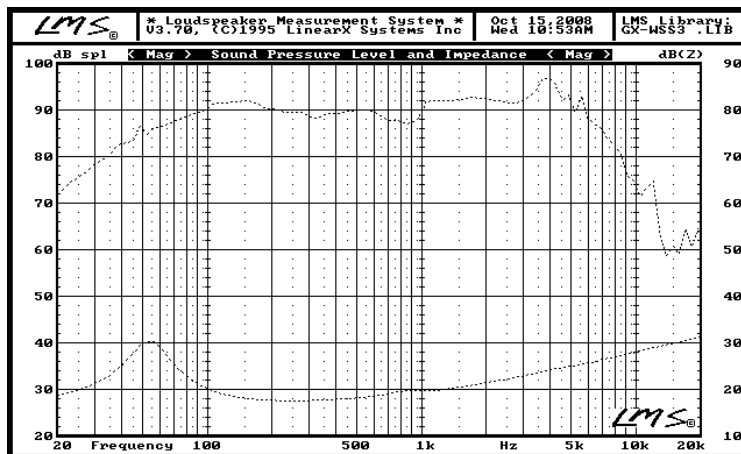
TECHNICAL DATA ARE MEASURED WITH LMS - EQUIPMENT ACCORDING EN - 60268 -5.

FOR PRODUCT IMPROVEMENT FDCAUDIO RESERVES ALTERATIONS IN SPECIFICATIONS AND DESIGN WITHOUT FURTHER ANNOUNCEMENT FOR TOLERANCES OF TECHNICAL DATA REFER TO FDCAUDIO 'S MANUAL OF TECHNICAL DATA

FOR INFORMATION CONTACT: TEL.:+86-592-2076023,FAX.:+86-592-2033445,E-MAIL:mengqi@fdcaudio.com

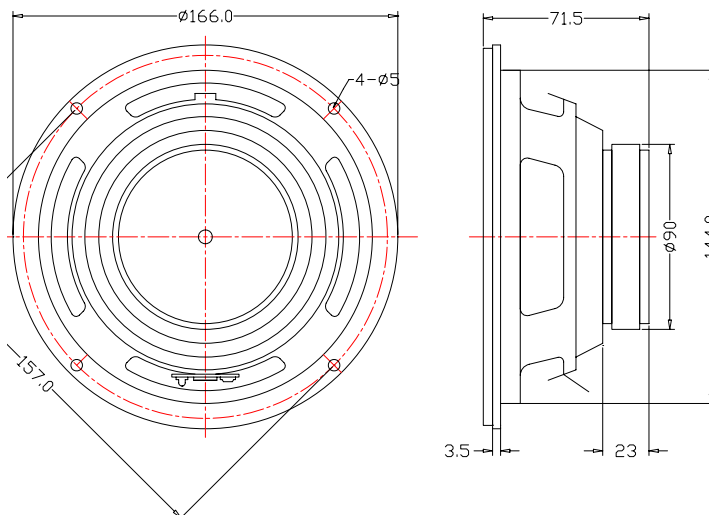
SPECIFICATIONS

Description	Mid-range
Size (in)	6
Nominal Diameter (mm)	166
Standard Impedance (Ohm)	8
Power RMS (Watts)	40
Power Program (Watts)	90
Sensitivity 1w/1m (dB)	89
Frequency Range (Hz)	53-6000
Basket Material	Stamped steel
Cone Material	Coated Paper
Spider Material	Rubber
Magnet Material	Ferrite
Magnet Weight (oz)	13.5
Voice Coil Material	Copper
Former Material	Aluminium
Voice Coil Diameter (mm)	25



THIELE & SMALL PARAMETERS

Fs (Hz)	53
Re (Ohm)	6.5
Sd (sqm)	0.014
Qms	2.71
Qes	0.68
Qts	0.55
Vas (it)	17.93
Mms (gr)	12.65
Bl (T/m)	6.06
Xmax (mm)	3
Hvc (mm)	10
Hag (mm)	4



PACKING INFORMATION

Net Weight (kg)	0.72
Gross Weight (kg)	0.81
Pieces per carton	
Dimensions (cm)	

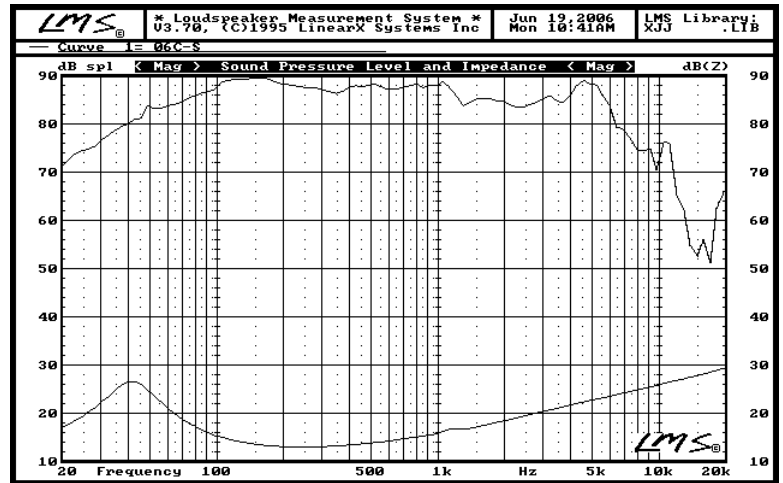
TECHNICAL DATA ARE MEASURED WITH LMS – EQUIPMENT ACCORDING EN – 60268 –5.

FOR PRODUCT IMPROVEMENT FDCAUDIO RESERVES ALTERATIONS IN SPECIFICATIONS AND DESIGN WITHOUT FURTHER ANNOUNCEMENT FOR TOLERANCES OF TECHNICAL DATA REFER TO FDCAUDIO 'S MANUAL OF TECHNICAL DATA

FOR INFORMATION CONTACT: TEL.:+86-592-2076023,FAX.:+86-592-2033445,E-MAIL:mengqi@fdcaudio.com

SPECIFICATIONS

Description	Mid-range
Size (in)	6.5
Nominal Diameter (mm)	178
Standard Impedance (Ohm)	4
Power RMS (Watts)	40
Power Program (Watts)	80
Sensitivity 1w/1m (dB)	88
Frequency Range (Hz)	40-6000
Basket Material	Stamped steel
Cone Material	Paper with metal coating
Spider Material	Rubber
Magnet Material	Ferrite
Magnet Weight (oz)	23
Voice Coil Material	Copper
Former Material	Aluminium
Voice Coil Diameter (mm)	35

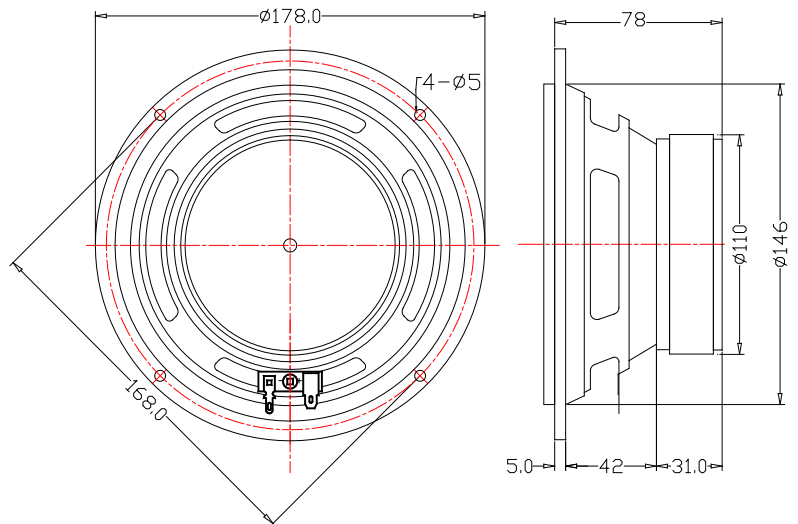


THIELE & SMALL PARAMETERS

Fs (Hz)	40
Re (Ohm)	3.5
Sd (sqmt)	0.0137
Qms	1.88
Qes	0.378
Qts	0.31
Vas (it)	24.82
Mms (gr)	16.74
Bl (T/m)	6.27
Xmax (mm)	3.5
Hvc (mm)	12.8
Hag (mm)	6

PACKING INFORMATION

Net Weight (kg)	1.65
Gross Weight (kg)	1.7
Pieces per carton	
Dimensions (cm)	



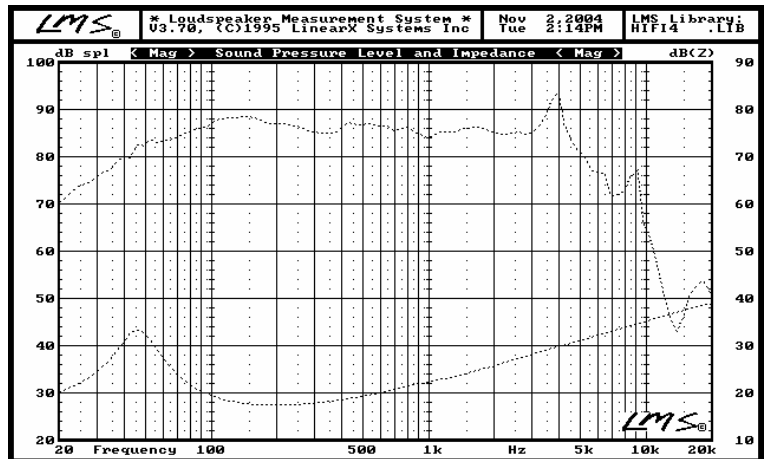
TECHNICAL DATA ARE MEASURED WITH LMS - EQUIPMENT ACCORDING EN - 60268 -5.

FOR PRODUCT IMPROVEMENT FDCAUDIO RESERVES ALTERATIONS IN SPECIFICATIONS AND DESIGN WITHOUT FURTHER ANNOUNCEMENT FOR TOLERANCES OF TECHNICAL DATA REFER TO FDCAUDIO 'S MANUAL OF TECHNICAL DATA

FOR INFORMATION CONTACT: TEL.:+86-592-2076023,FAX.:+86-592-2033445,E-MAIL:mengqi@fdcaudio.com

SPECIFICATIONS

Description	Mid-range
Size (in)	6
Nominal Diameter (mm)	178
Standard Impedance (Ohm)	8
Power RMS (Watts)	30
Power Program (Watts)	60
Sensitivity 1w/1m (dB)	86
Frequency Range (Hz)	45-5,000
Basket Material	Stamped steel
Cone Material	Coated paper
Spider Material	Rubber
Magnet Material	Ferrite
Magnet Weight (oz)	17
Voice Coil Material	Copper
Former Material	Aluminium
Voice Coil Diameter (mm)	25

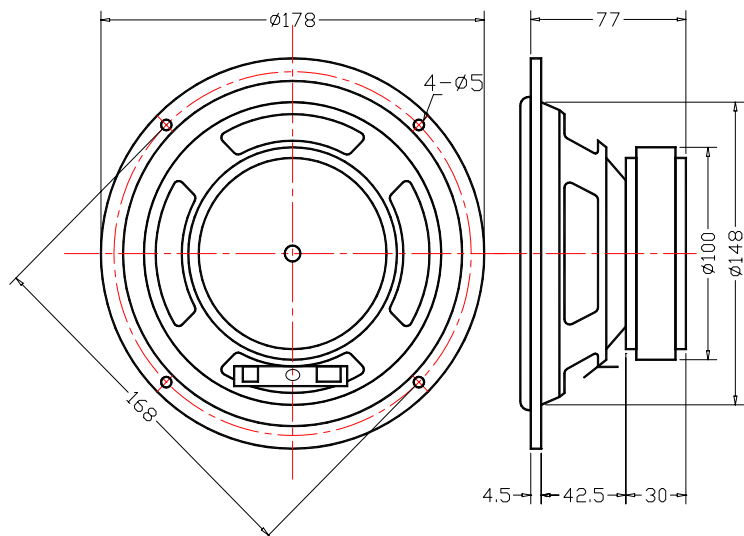


THIELE & SMALL PARAMETERS

Fs (Hz)	45
Re (Ohm)	6.2
Sd (sqmt)	0.0137
Qms	3.06
Qes	0.43
Qts	0.38
Vas (it)	28.23
Mms (gr)	11.18
Bl (T/m)	6.86
Xmax (mm)	2
Hvc (mm)	10
Hag (mm)	6

PACKING INFORMATION

Net Weight (kg)	1.3
Gross Weight (kg)	
Pieces per carton	
Dimensions (cm)	



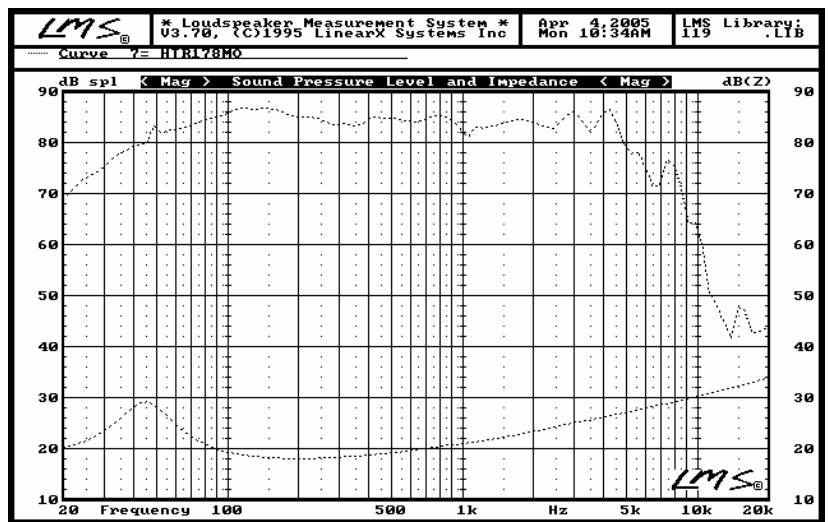
TECHNICAL DATA ARE MEASURED WITH LMS - EQUIPMENT ACCORDING EN - 60268 -5.

FOR PRODUCT IMPROVEMENT FDCAUDIO RESERVES ALTERATIONS IN SPECIFICATIONS AND DESIGN WITHOUT FURTHER ANNOUNCEMENT FOR TOLERANCES OF TECHNICAL DATA REFER TO FDCAUDIO 'S MANUAL OF TECHNICAL DATA

FOR INFORMATION CONTACT: TEL.:+86-592-2076023,FAX.:+86-592-2033445,E-MAIL:mengqi@fdcaudio.com

SPECIFICATIONS

Description	Mid-range
Size (in)	6
Nominal Diameter (mm)	178
Standard Impedance (Ohm)	8
Power RMS (Watts)	50
Power Program (Watts)	120
Sensitivity 1w/1m (dB)	90
Frequency Range (Hz)	45-6000
Basket Material	Stamped steel
Cone Material	PP
Spider Material	Rubber
Magnet Material	Ferrite
Magnet Weight (oz)	17.3
Voice Coil Material	Copper
Former Material	Aluminium
Voice Coil Diameter (mm)	35

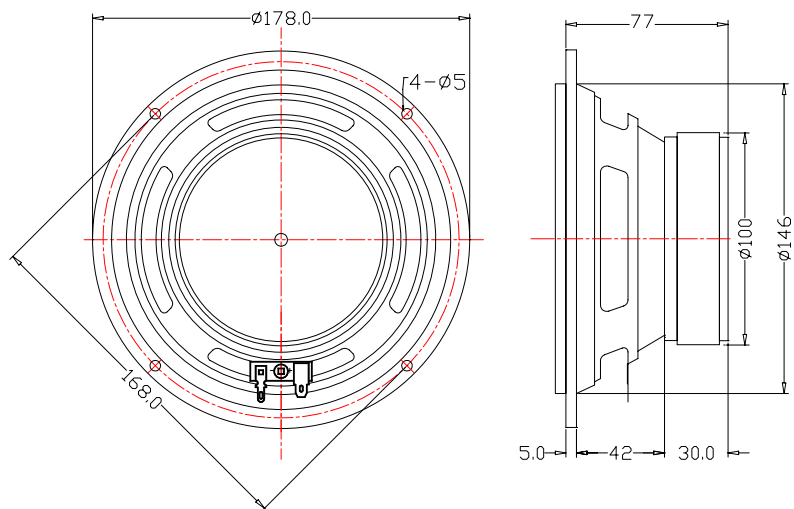


THIELE & SMALL PARAMETERS

Fs (Hz)	45
Re (Ohm)	6.8
Sd (sqmt)	0.0133
Qms	2.21
Qes	0.74
Qts	0.56
Vas (it) Mms (gr)	19.85
Bl (T/m)	6.43
Xmax (mm)	4
Hvc (mm)	14
Hag (mm)	6

PACKING INFORMATION

Net Weight (kg)	1.38
Gross Weight (kg)	1.54
Pieces per carton	
Dimensions (cm)	



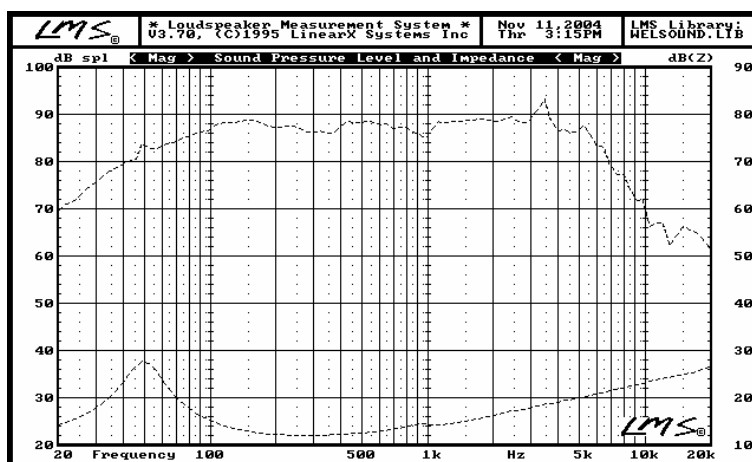
TECHNICAL DATA ARE MEASURED WITH LMS – EQUIPMENT ACCORDING EN – 60268 –5.

FOR PRODUCT IMPROVEMENT FDCAUDIO RESERVES ALTERATIONS IN SPECIFICATIONS AND DESIGN WITHOUT FURTHER ANNOUNCEMENT FOR TOLERANCES OF TECHNICAL DATA REFER TO FDCAUDIO 'S MANUAL OF TECHNICAL DATA

FOR INFORMATION CONTACT: TEL.:+86-592-2076023,FAX.:+86-592-2033445,E-MAIL:mengqi@fdcaudio.com

SPECIFICATIONS

Description	Mid-range
Size (in)	6
Nominal Diameter (mm)	178
Standard Impedance (Ohm)	4
Power RMS (Watts)	30
Power Program (Watts)	50
Sensitivity 1w/1m (dB)	88
Frequency Range (Hz)	50-7,000
Basket Material	Stamped steel
Cone Material	Glass-fiber
Spider Material	Rubber
Magnet Material	Ferrite
Magnet Weight (oz)	16
Voice Coil Material	Copper
Former Material	kapton
Voice Coil Diameter (mm)	25

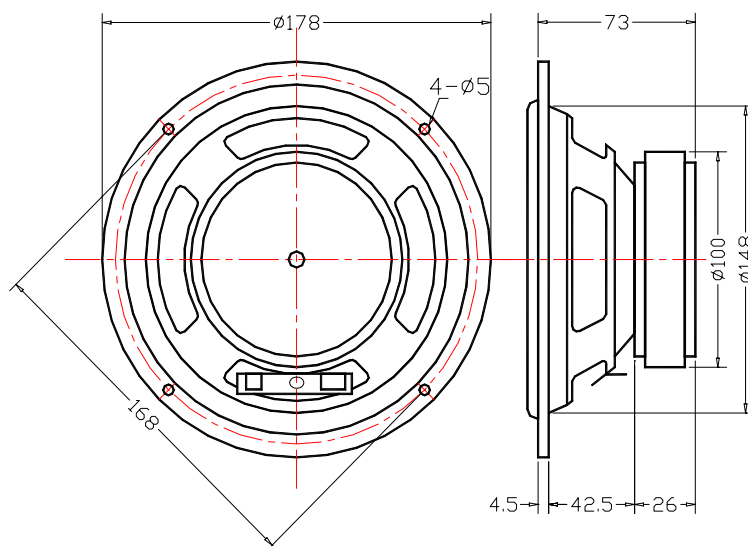


THIELE & SMALL PARAMETERS

Fs (Hz)	50
Re (Ohm)	3.2
Sd (sqmt)	0.0143
Qms	6.02
Qes	0.45
Qts	0.39
Vas (it)	19.53
Mms (gr)	15.54
Bl (T/m)	5.83
Xmax (mm)	2
Hvc (mm)	9.8
Hag (mm)	6

PACKING INFORMATION

Net Weight (kg)	1.25
Gross Weight (kg)	
Pieces per carton	
Dimensions (cm)	



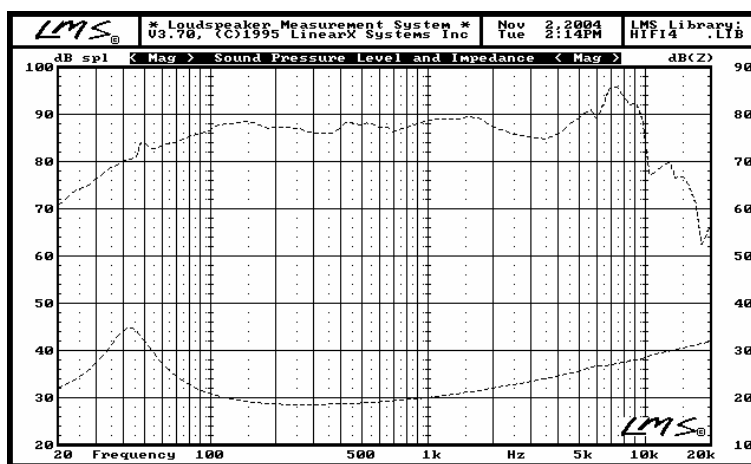
TECHNICAL DATA ARE MEASURED WITH LMS - EQUIPMENT ACCORDING EN - 60268 -5.

FOR PRODUCT IMPROVEMENT FDCAUDIO RESERVES ALTERATIONS IN SPECIFICATIONS AND DESIGN WITHOUT FURTHER ANNOUNCEMENT FOR TOLERANCES OF TECHNICAL DATA REFER TO FDCAUDIO 'S MANUAL OF TECHNICAL DATA

FOR INFORMATION CONTACT: TEL.:+86-592-2076023,FAX.:+86-592-2033445,E-MAIL:mengqi@fdcaudio.com

SPECIFICATIONS

Description	Mid-range
Size (in)	6
Nominal Diameter (mm)	178
Standard Impedance (Ohm)	8
Power RMS (Watts)	30
Power Program (Watts)	60
Sensitivity 1w/1m (dB)	88
Frequency Range (Hz)	45-10,000
Basket Material	Stamped steel
Cone Material	Aluminium
Spider Material	Rubber
Magnet Material	Ferrite
Magnet Weight (oz)	16
Voice Coil Material	Copper
Former Material	Aluminium
Voice Coil Diameter (mm)	25

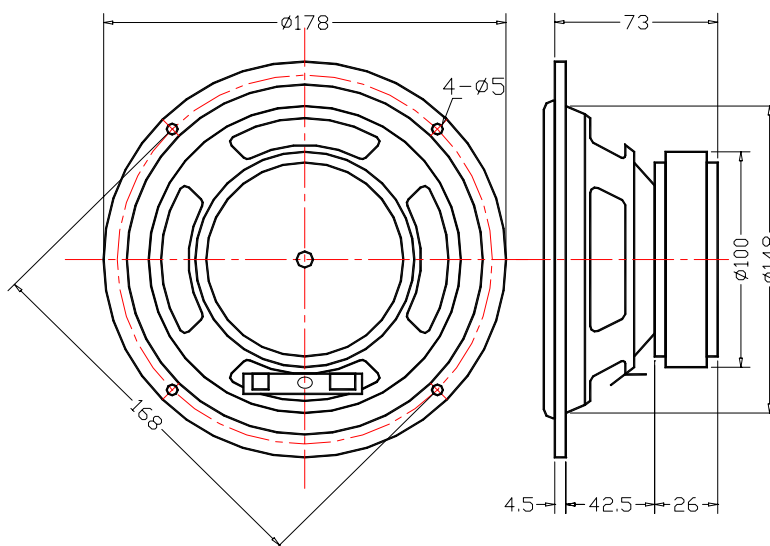


THIELE & SMALL PARAMETERS

Fs (Hz)	45
Re (Ohm)	6.2
Sd (sqmt)	0.0131
Qms	2.86
Qes	0.38
Qts	0.34
Vas (it)	28.70
Mms (gr)	11.68
Bl (T/m)	7.14
Xmax (mm)	2
Hvc (mm)	9.8
Hag (mm)	6

PACKING INFORMATION

Net Weight (kg)	1.25
Gross Weight (kg)	
Pieces per carton	
Dimensions (cm)	



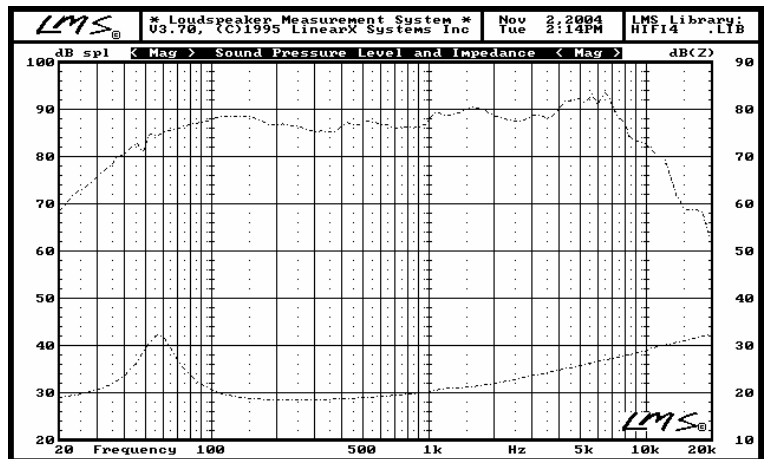
TECHNICAL DATA ARE MEASURED WITH LMS - EQUIPMENT ACCORDING EN - 60268 -5.

FOR PRODUCT IMPROVEMENT FDCAUDIO RESERVES ALTERATIONS IN SPECIFICATIONS AND DESIGN WITHOUT FURTHER ANNOUNCEMENT FOR TOLERANCES OF TECHNICAL DATA REFER TO FDCAUDIO 'S MANUAL OF TECHNICAL DATA

FOR INFORMATION CONTACT: TEL.:+86-592-2076023,FAX.:+86-592-2033445,E-MAIL:mengqi@fdcaudio.com

SPECIFICATIONS

Description	Mid-range
Size (in)	6
Nominal Diameter (mm)	180
Standard Impedance (Ohm)	8
Power RMS (Watts)	45
Power Program (Watts)	90
Sensitivity 1w/1m (dB)	85
Frequency Range (Hz)	60-8,000
Basket Material	Stamped steel
Cone Material	Coated Paper
Spider Material	Rubber
Magnet Material	Ferrite
Magnet Weight (oz)	10.9+6.3
Voice Coil Material	Copper
Former Material	Aluminium
Voice Coil Diameter (mm)	25

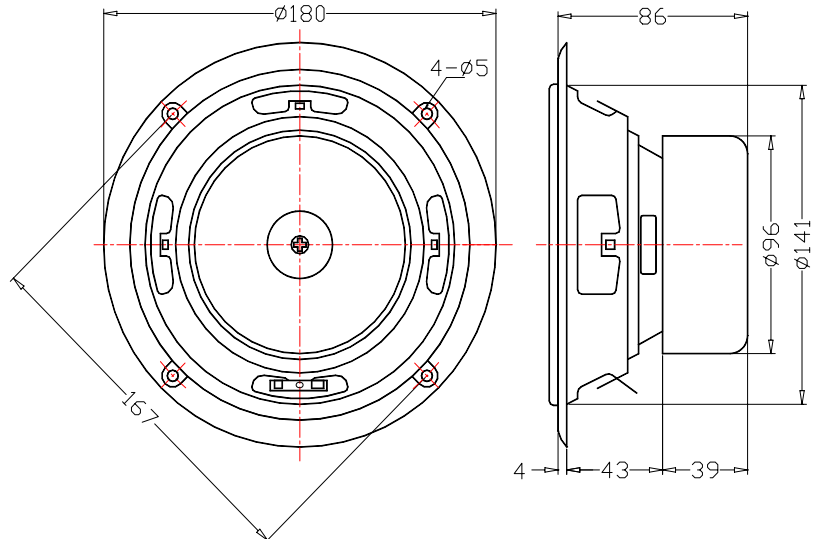


THIELE & SMALL PARAMETERS

Fs (Hz)	60
Re (Ohm)	7.2
Sd (sqmt)	0.0135
Qms	3.32
Qes	0.59
Qts	0.50
Vas (it)	22.08
Mms (gr)	9.07
Bl (T/m)	6.33
Xmax (mm)	2
Hvc (mm)	9.8
Hag (mm)	6

PACKING INFORMATION 1.4

Net Weight (kg)	
Gross Weight (kg)	
Pieces per carton	
Dimensions (cm)	



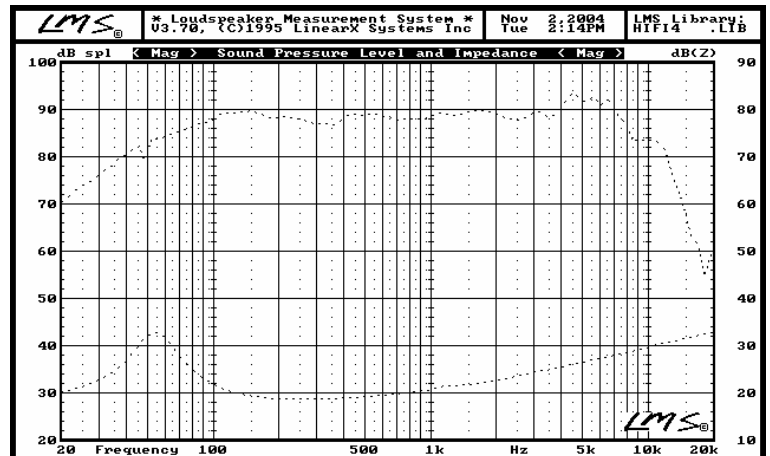
TECHNICAL DATA ARE MEASURED WITH LMS - EQUIPMENT ACCORDING EN - 60268 -5.

FOR PRODUCT IMPROVEMENT FDCAUDIO RESERVES ALTERATIONS IN SPECIFICATIONS AND DESIGN WITHOUT FURTHER ANNOUNCEMENT FOR TOLERANCES OF TECHNICAL DATA REFER TO FDCAUDIO 'S MANUAL OF TECHNICAL DATA

FOR INFORMATION CONTACT: TEL.:+86-592-2076023,FAX.:+86-592-2033445,E-MAIL:mengqi@fdcaudio.com

SPECIFICATIONS

Description	Mid-range
Size (in)	6
Nominal Diameter (mm)	180
Standard Impedance (Ohm)	8
Power RMS (Watts)	30
Power Program (Watts)	60
Sensitivity 1w/1m (dB)	88
Frequency Range (Hz)	45-8,000
Basket Material	Stamped steel
Cone Material	Coated Paper
Spider Material	Rubber
Magnet Material	Ferrite
Magnet Weight (oz)	10.9+6.3
Voice Coil Material	Copper
Former Material	Aluminium
Voice Coil Diameter (mm)	25

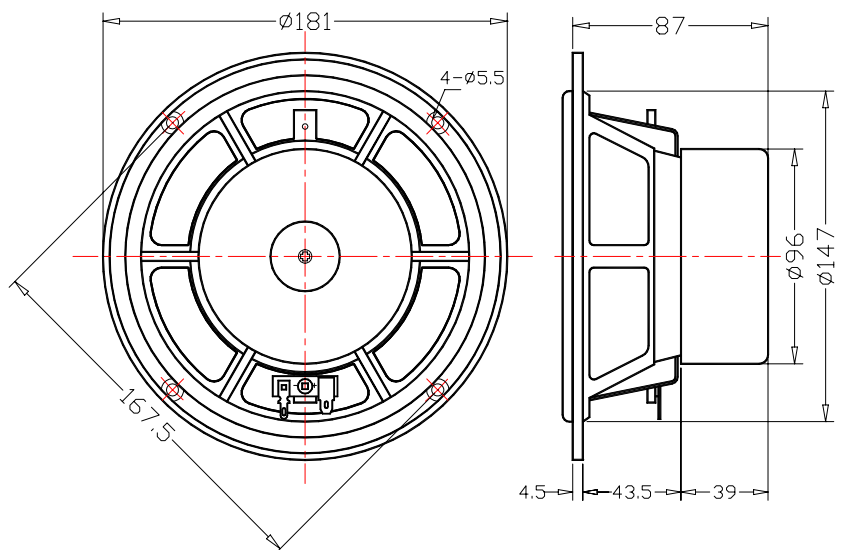


THIELE & SMALL PARAMETERS

Fs (Hz)	55
Re (Ohm)	6.2
Sd (sqmt)	0.0135
Qms	2.69
Qes	0.84
Qts	0.64
Vas (it)	23.14
Mms (gr)	11.68
Bl (T/m)	5.55
Xmax (mm)	2
Hvc (mm)	9.8
Hag (mm)	6

PACKING INFORMATION

Net Weight (kg)	1.35
Gross Weight (kg)	
Pieces per carton	
Dimensions (cm)	



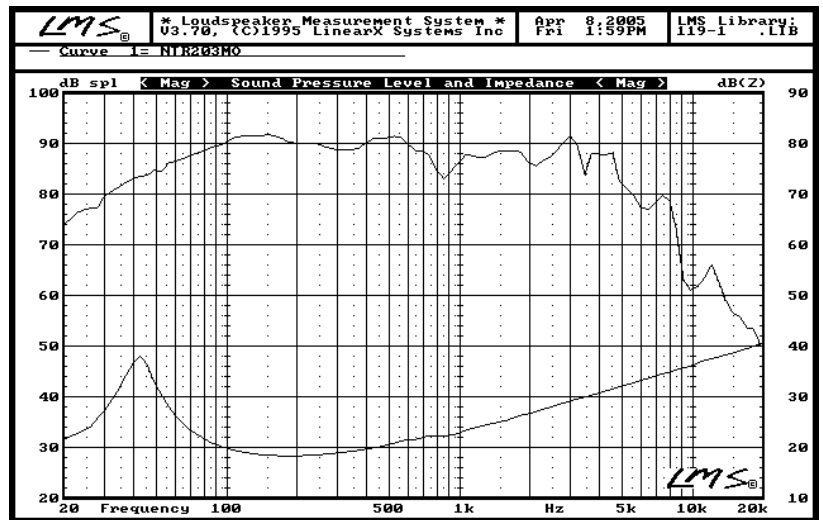
TECHNICAL DATA ARE MEASURED WITH LMS - EQUIPMENT ACCORDING EN - 60268 -5.

FOR PRODUCT IMPROVEMENT FDCAUDIO RESERVES ALTERATIONS IN SPECIFICATIONS AND DESIGN WITHOUT FURTHER ANNOUNCEMENT FOR TOLERANCES OF TECHNICAL DATA REFER TO FDCAUDIO 'S MANUAL OF TECHNICAL DATA

FOR INFORMATION CONTACT: TEL.:+86-592-2076023,FAX.:+86-592-2033445,E-MAIL:mengqi@fdcaudio.com

SPECIFICATIONS

Description	Mid-range
Size (in)	8
Nominal Diameter (mm)	203
Standard Impedance (Ohm)	8
Power RMS (Watts)	50
Power Program (Watts)	100
Sensitivity 1w/1m (dB)	88
Frequency Range (Hz)	42-5000
Basket Material	Stamped steel
Cone Material	Paper
Surround Material	Foam
Magnet Material	Ferrite
Magnet Weight (oz)	18
Voice Coil Material	Copper
Former Material	Aluminium
Voice Coil Diameter (mm)	25

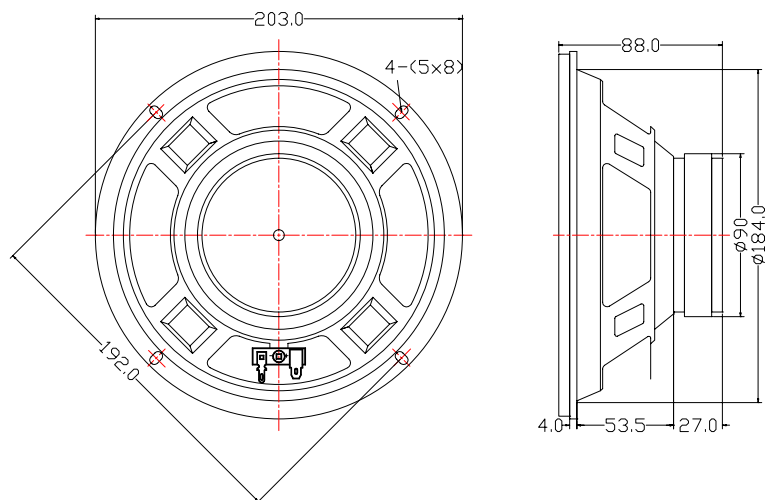


THIELE & SMALL PARAMETERS

Fs (Hz)	32
Re (Ohm)	6.8
Sd (sqmt)	0.0222
Qms	4.43
Qes	0.42
Qts	0.38
Vas (it)	59.82
Mms (gr)	16.03
Bl (T/m)	8.36
Xmax (mm)	6.8
Hvc (mm)	19.6
Hag (mm)	6

PACKING INFORMATION

Net Weight (kg)	1.1
Gross Weight (kg)	1.25
Pieces per carton	
Dimensions (cm)	



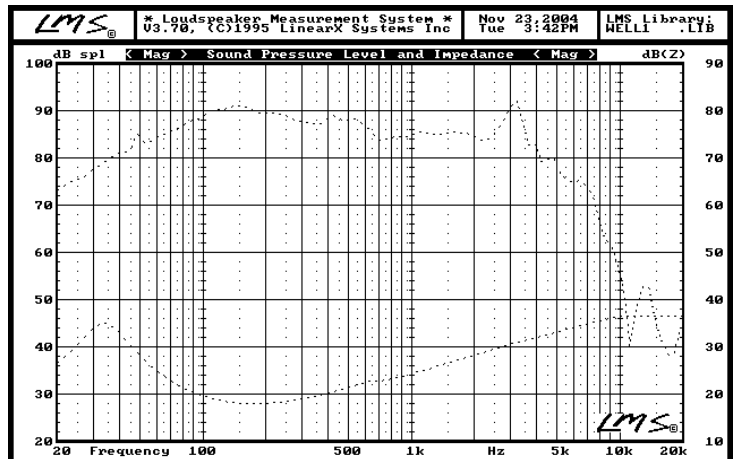
TECHNICAL DATA ARE MEASURED WITH LMS - EQUIPMENT ACCORDING EN - 60268 -5.

FOR PRODUCT IMPROVEMENT FDCAUDIO RESERVES ALTERATIONS IN SPECIFICATIONS AND DESIGN WITHOUT FURTHER ANNOUNCEMENT FOR TOLERANCES OF TECHNICAL DATA REFER TO FDCAUDIO 'S MANUAL OF TECHNICAL DATA

FOR INFORMATION CONTACT: TEL.:+86-592-2076023,FAX.:+86-592-2033445,E-MAIL:mengqi@fdcaudio.com

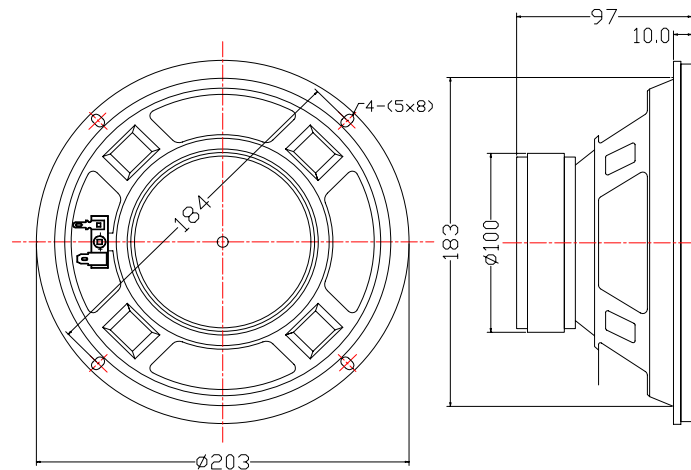
SPECIFICATIONS

Description	Woofer
Size (in)	8
Nominal Diameter (mm)	203
Standard Impedance (Ohm)	8
Power RMS (Watts)	50
Power Program (Watts)	140
Sensitivity 1w/1m (dB)	89
Frequency Range (Hz)	40-5,000
Basket Material	Stamped steel
Cone Material	Coated Paper
Surround Material	Rubber
Magnet Material	Ferrite
Magnet Weight (oz)	20
Voice Coil Material	Copper
Former Material	Aluminium
Voice Coil Diameter (mm.)	35



THIELE & SMALL PARAMETERS

Fs (Hz)	40
Re (Ohm)	6.3
Sd (sqmt)	0.021
Qms	2.19
Qes	0.28
Qts	0.25
Vas (it)	44.33
Mms (gr)	34.47
Bl (T/m)	12.66
Xmax (mm)	3
Hvc (mm)	12
Hag (mm)	6



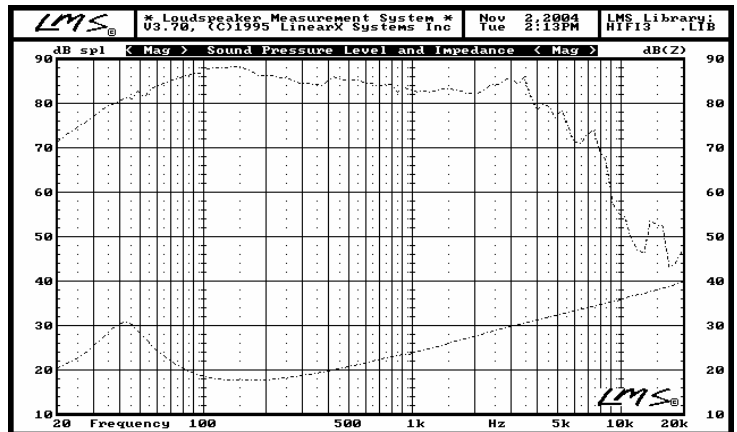
PACKING INFORMATION

Net Weight (kg)	1.6
Gross Weight (kg)	2.6
Pieces per carton	1
Dimensions (cm)	30x30x12

TECHNICAL DATA ARE MEASURED WITH LMS – EQUIPMENT ACCORDING EN – 60268 –5.
 FOR PRODUCT IMPROVEMENT FDCAUDIO RESERVES ALTERATIONS IN SPECIFICATIONS AND DESIGN WITHOUT FURTHER ANNOUNCEMENT FOR TOLERANCES OF TECHNICAL DATA REFER TO FDCAUDIO 'S MANUAL OF TECHNICAL DATA
 FOR INFORMATION CONTACT: TEL.:+86-592-2076023,FAX.:+86-592-2033445,E-MAIL:mengqi@fdcaudio.com

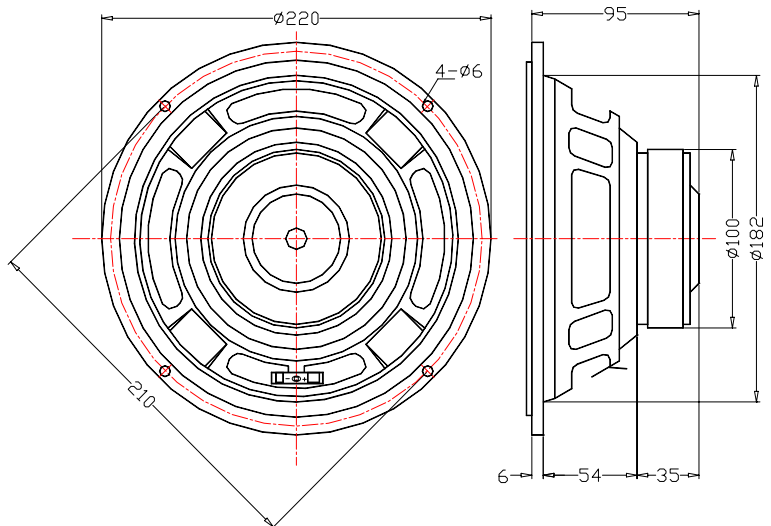
SPECIFICATIONS

Description	High power Mid-bass
Size (in)	8
Nominal Diameter (mm)	220
Standard Impedance (Ohm)	8
Power RMS (Watts)	50
Power Program (Watts)	140
Sensitivity 1w/1m (dB)	86
Frequency Range (Hz)	40-3,500
Basket Material	Stamped steel
Cone Material	Coated Paper
Spider Material	Rubber
Magnet Material	Ferrite
Magnet Weight (oz)	20
Voice Coil Material	Copper
Former Material	Aluminium
Voice Coil Diameter (mm.)	35



THIELE & SMALL PARAMETERS

Fs (Hz)	40
Re (Ohm)	6.2
Sd (sqmt)	0.021
Qms	2.45
Qes	0.48
Qts	0.40
Vas (it)	35.60
Mms (gr)	25.89
Bl (T/m)	9.50
Xmax (mm)	3
Hvc (mm)	12
Hag (mm)	6



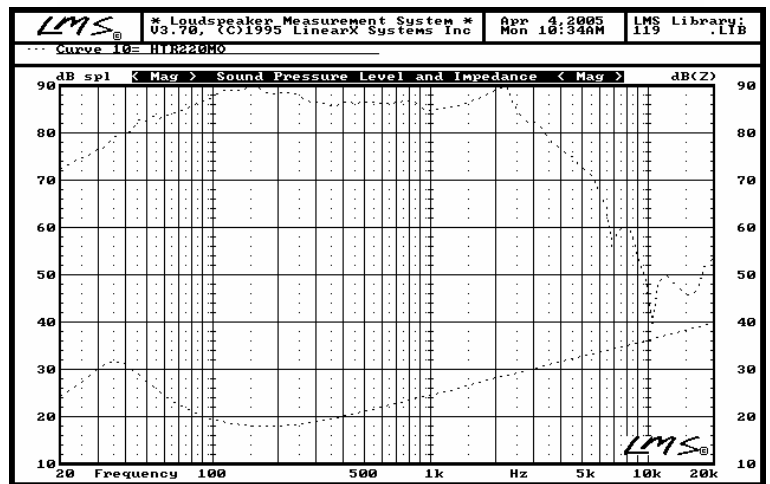
PACKING INFORMATION

Net Weight (kg)	1.65
Gross Weight (kg)	
Pieces per carton	
Dimensions (cm)	

TECHNICAL DATA ARE MEASURED WITH LMS – EQUIPMENT ACCORDING EN – 60268 –5.
FOR PRODUCT IMPROVEMENT FDCAUDIO RESERVES ALTERATIONS IN SPECIFICATIONS AND DESIGN WITHOUT FURTHER ANNOUNCEMENT FOR TOLERANCES OF TECHNICAL DATA REFER TO FDCAUDIO 'S MANUAL OF TECHNICAL DATA
FOR INFORMATION CONTACT: TEL.:+86-592-2076023,FAX.:+86-592-2033445,E-MAIL:mengqi@fdcaudio.com

SPECIFICATIONS

Description	Mid-range
Size (in)	8
Nominal Diameter (mm)	220
Standard Impedance (Ohm)	8
Power RMS (Watts)	50
Power Program (Watts)	140
Sensitivity 1w/1m (dB)	86
Frequency Range (Hz)	35-3500
Basket Material	Stamped steel
Cone Material	PP
Spider Material	Rubber
Magnet Material	Ferrite
Magnet Weight (oz)	20
Voice Coil Material	Copper
Former Material	Aluminium
Voice Coil Diameter (mm)	35

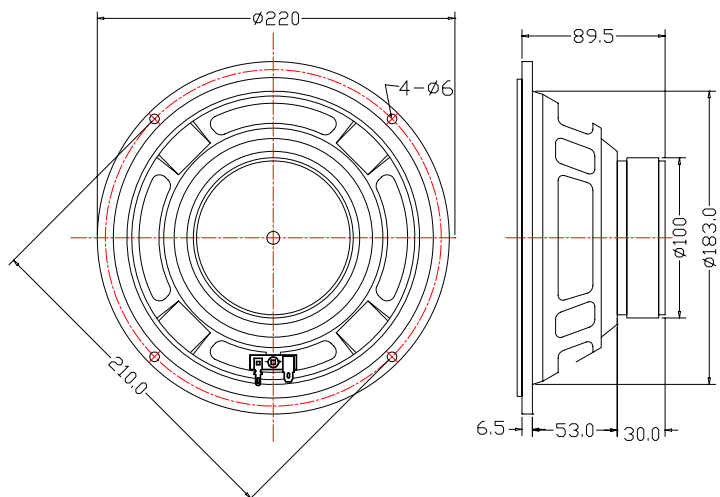


THIELE & SMALL PARAMETERS

Fs (Hz)	35
Re (Ohm)	6.2
Sd (sqmt)	0.0214
Qms	1.77
Qes	0.36
Qts	0.30
Vas (it)	54.08
Mms (gr)	24.62
Bl (T/m)	9.79
Xmax (mm)	4
Hvc (mm)	14
Hag (mm)	6

PACKING INFORMATION

Net Weight (kg)	1.87
Gross Weight (kg)	2.0
Pieces per carton	
Dimensions (cm)	



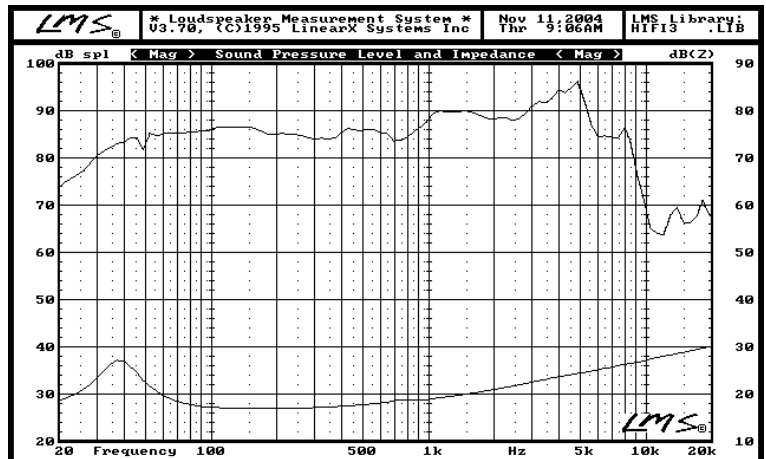
TECHNICAL DATA ARE MEASURED WITH LMS - EQUIPMENT ACCORDING EN - 60268 -5.

FOR PRODUCT IMPROVEMENT FDCAUDIO RESERVES ALTERATIONS IN SPECIFICATIONS AND DESIGN WITHOUT FURTHER ANNOUNCEMENT FOR TOLERANCES OF TECHNICAL DATA REFER TO FDCAUDIO 'S MANUAL OF TECHNICAL DATA

FOR INFORMATION CONTACT: TEL.:+86-592-2076023,FAX.:+86-592-2033445,E-MAIL:mengqi@fdcaudio.com

SPECIFICATIONS

Description	High power Mid-bass
Size (in)	8
Nominal Diameter (mm)	226
Standard Impedance (Ohm)	8
Power RMS (Watts)	40
Power Program (Watts)	60
Sensitivity 1w/1m (dB)	86
Frequency Range (Hz)	40-5,500
Basket Material	Stamped steel
Cone Material	Coated Paper
Spider Material	Rubber
Magnet Material	Ferrite
Magnet Weight (oz)	10.9+6.3
Voice Coil Material	Copper
Former Material	Aluminium
Voice Coil Diameter (mm.)	25

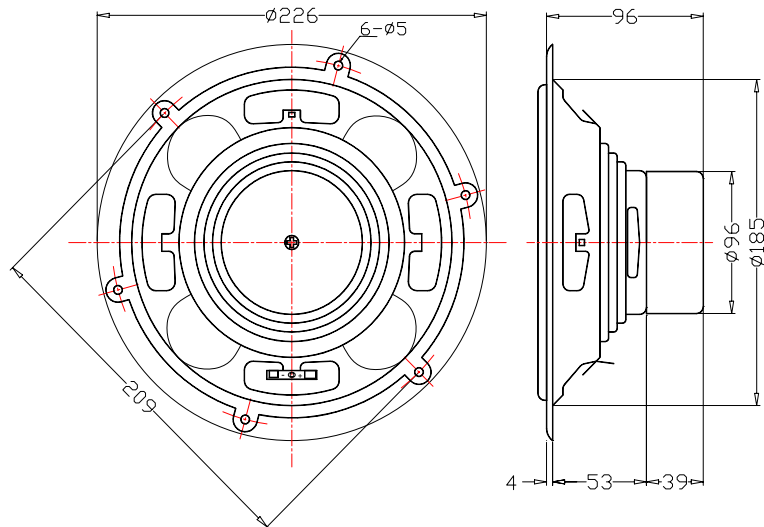


THIELE & SMALL PARAMETERS

Fs (Hz)	40
Re (Ohm)	6.2
Sd (sqm)	0.021
Qms	2.51
Qes	0.93
Qts	0.68
Vas (it)	61.70
Mms (gr)	18.63
Bl (T/m)	5.44
Xmax (mm)	1.5
Hvc (mm)	9.8
Hag (mm)	6

PACKING INFORMATION

Net Weight (kg)	1.5
Gross Weight (kg)	
Pieces per carton	
Dimensions (cm)	



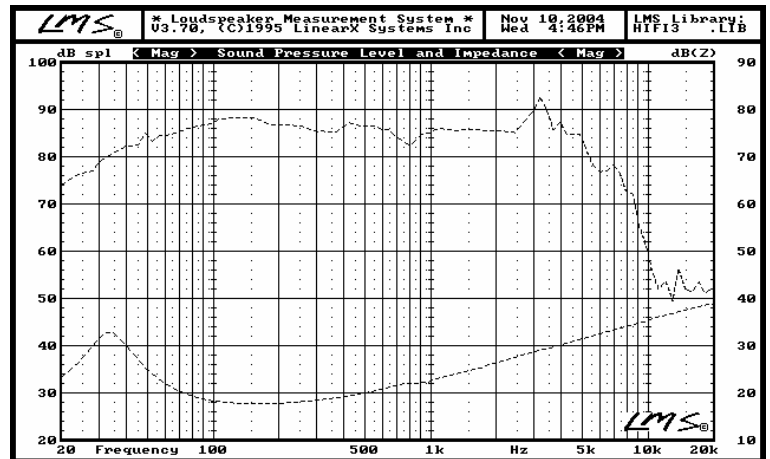
TECHNICAL DATA ARE MEASURED WITH LMS - EQUIPMENT ACCORDING EN - 60268 -5.

FOR PRODUCT IMPROVEMENT FDCAUDIO RESERVES ALTERATIONS IN SPECIFICATIONS AND DESIGN WITHOUT FURTHER ANNOUNCEMENT FOR TOLERANCES OF TECHNICAL DATA REFER TO FDCAUDIO 'S MANUAL OF TECHNICAL DATA

FOR INFORMATION CONTACT: TEL.:+86-592-2076023,FAX.:+86-592-2033445,E-MAIL:mengqi@fdcaudio.com

SPECIFICATIONS

Description	High power Mid-bass
Size (in)	8
Nominal Diameter (mm)	224
Standard Impedance (Ohm)	8
Power RMS (Watts)	40
Power Program (Watts)	80
Sensitivity 1w/1m (dB)	86
Frequency Range (Hz)	35-5,000
Basket Material	Stamped steel
Cone Material	Coated Paper
Spider Material	Rubber
Magnet Material	Ferrite
Magnet Weight (oz)	10.9+6.3
Voice Coil Material	Copper
Former Material	Aluminium
Voice Coil Diameter (mm.)	25

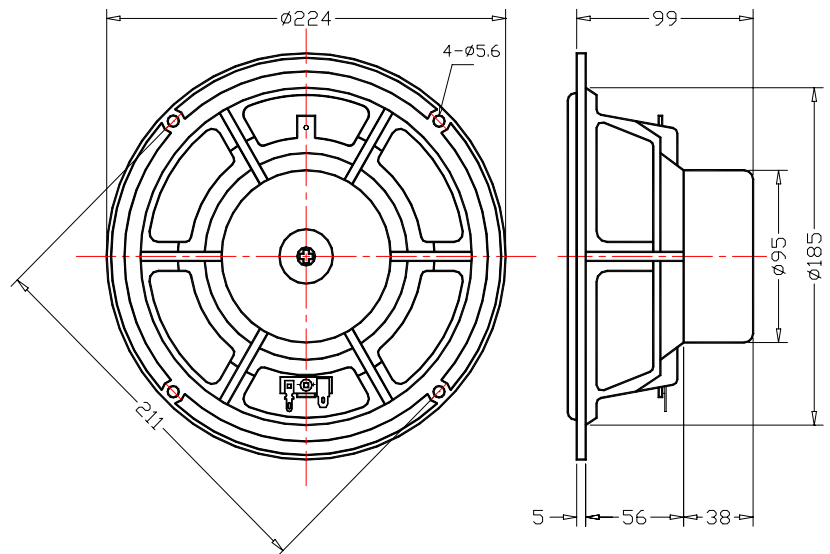


THIELE & SMALL PARAMETERS

Fs (Hz)	35
Re (Ohm)	6.2
Sd (sqmt)	0.021
Qms	2.69
Qes	0.43
Qts	0.37
Vas (it)	61.48
Mms (gr)	24.62
Bl (T/m)	8.54
Xmax (mm)	2
Hvc (mm)	10.4
Hag (mm)	6

PACKING INFORMATION

Net Weight (kg)	1.5
Gross Weight (kg)	
Pieces per carton	
Dimensions (cm)	



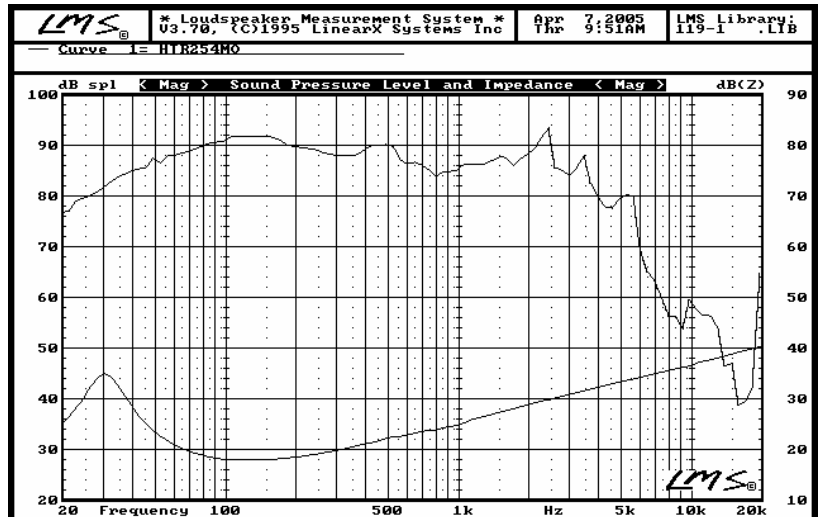
TECHNICAL DATA ARE MEASURED WITH LMS – EQUIPMENT ACCORDING EN – 60268 –5.

FOR PRODUCT IMPROVEMENT FDCAUDIO RESERVES ALTERATIONS IN SPECIFICATIONS AND DESIGN WITHOUT FURTHER ANNOUNCEMENT FOR TOLERANCES OF TECHNICAL DATA REFER TO FDCAUDIO 'S MANUAL OF TECHNICAL DATA

FOR INFORMATION CONTACT: TEL.:+86-592-2076023,FAX.:+86-592-2033445,E-MAIL:mengqi@fdcaudio.com

SPECIFICATIONS

Description	Mid-range
Size (in)	10
Nominal Diameter (mm)	254
Standard Impedance (Ohm)	8
Power RMS (Watts)	60
Power Program (Watts)	140
Sensitivity 1w/1m (dB)	86
Frequency Range (Hz)	30-5000
Basket Material	Stamped steel
Cone Material	Paper
Spider Material	Foam
Magnet Material	Ferrite
Magnet Weight (oz)	21
Voice Coil Material	Copper
Former Material	Aluminium
Voice Coil Diameter (mm)	35

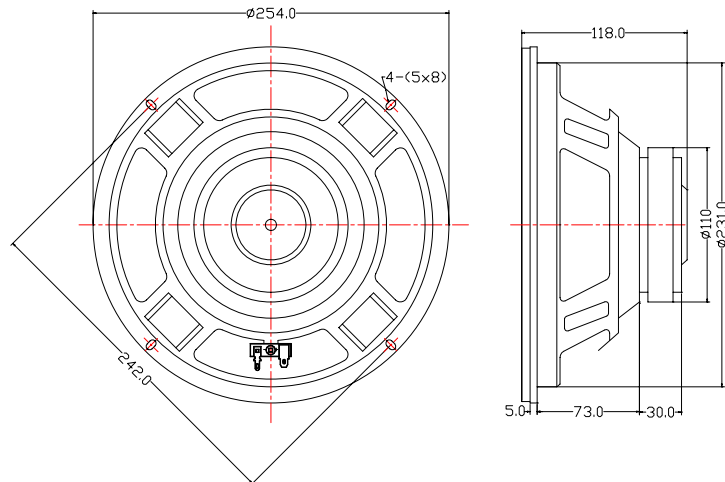


THIELE & SMALL PARAMETERS

Fs (Hz)	30
Re (Ohm)	6.2
Sd (sqm)	0.0353
Qms	3.12
Qes	0.39
Qts	0.35
Vas (it)	98.12
Mms (gr)	49.19
Bl (T/m)	12.39
Xmax (mm)	3.0
Hvc (mm)	12
Hag (mm)	6

PACKING INFORMATION

Net Weight (kg)	1.88
Gross Weight (kg)	2.25
Pieces per carton	
Dimensions (cm)	



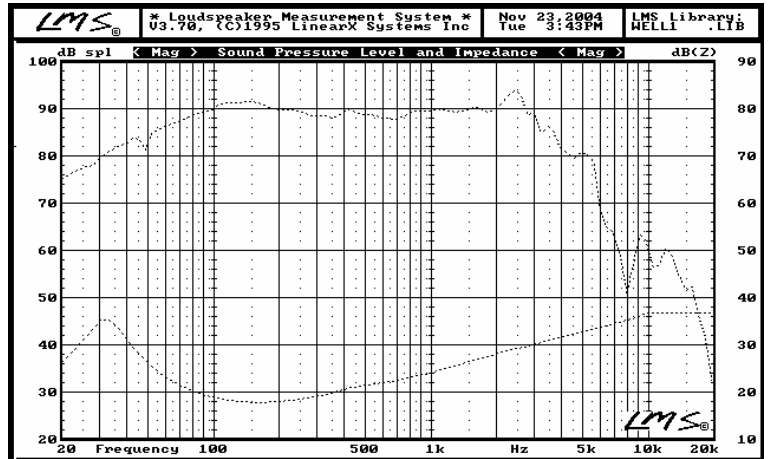
TECHNICAL DATA ARE MEASURED WITH LMS - EQUIPMENT ACCORDING EN - 60268 -5.

FOR PRODUCT IMPROVEMENT FDCAUDIO RESERVES ALTERATIONS IN SPECIFICATIONS AND DESIGN WITHOUT FURTHER ANNOUNCEMENT FOR TOLERANCES OF TECHNICAL DATA REFER TO FDCAUDIO 'S MANUAL OF TECHNICAL DATA

FOR INFORMATION CONTACT: TEL.:+86-592-2076023,FAX.:+86-592-2033445,E-MAIL:mengqi@fdcaudio.com

SPECIFICATIONS

Description	Woofer
Size (in)	10
Nominal Diameter (mm)	254
Standard Impedance (Ohm)	8
Power RMS (Watts)	70
Power Program (Watts)	160
Sensitivity 1w/1m (dB)	89
Frequency Range (Hz)	40-5,500
Basket Material	Stamped steel
Cone Material	Coated Paper
Spider Material	Cloth
Magnet Material	Ferrite
Magnet Weight (oz)	29
Voice Coil Material	Copper
Former Material	Aluminium
Voice Coil Diameter (mm.)	35

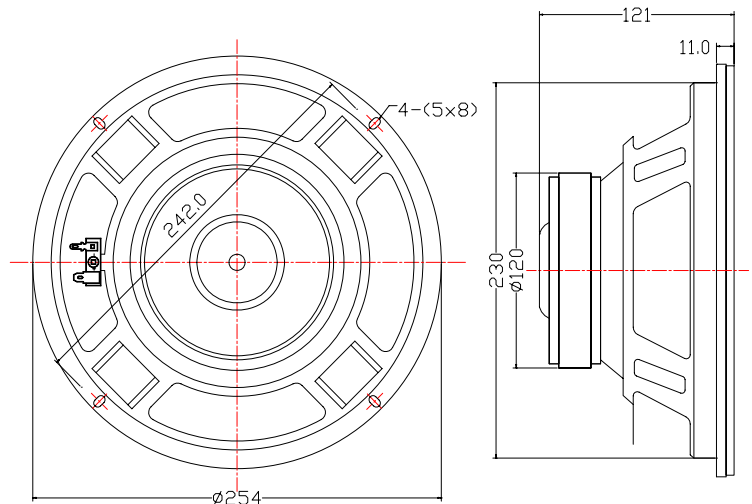


THIELE & SMALL PARAMETERS

Fs (Hz)	35
Re (Ohm)	6.3
Sd (sqmt)	0.035
Qms	2.79
Qes	0.34
Qts	0.30
Vas (it)	103.16
Mms (gr)	39.40
Bl (T/m)	12.33
Xmax (mm)	3
Hvc (mm)	12
Hag (mm)	6

PACKING INFORMATION

Net Weight (kg)	2.2
Gross Weight (kg)	3.2
Pieces per carton	1
Dimensions (cm)	28.4x28.4x14.2



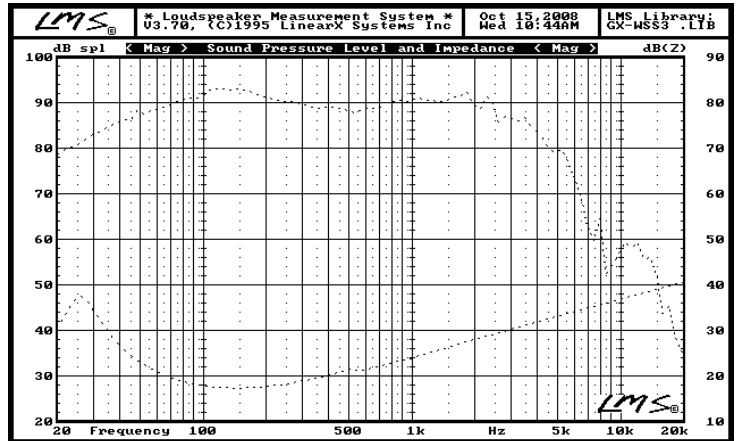
TECHNICAL DATA ARE MEASURED WITH LMS – EQUIPMENT ACCORDING EN – 60268 –5.

FOR PRODUCT IMPROVEMENT FDCAUDIO RESERVES ALTERATIONS IN SPECIFICATIONS AND DESIGN WITHOUT FURTHER ANNOUNCEMENT FOR TOLERANCES OF TECHNICAL DATA REFER TO FDCAUDIO 'S MANUAL OF TECHNICAL DATA

FOR INFORMATION CONTACT: TEL.:+86-592-2076023,FAX.:+86-592-2033445,E-MAIL:mengqi@fdcaudio.com

SPECIFICATIONS

Description	Woofer
Size (in)	10
Nominal Diameter (mm)	254
Standard Impedance (Ohm)	8
Power RMS (Watts)	70
Power Program (Watts)	160
Sensitivity 1w/1m (dB)	90
Frequency Range (Hz)	25-2,500
Basket Material	Stamped steel
Cone Material	Coated Paper
Spider Material	Rubber
Magnet Material	Ferrite
Magnet Weight (oz)	29
Voice Coil Material	Copper
Former Material	Aluminium
Voice Coil Diameter (mm.)	35

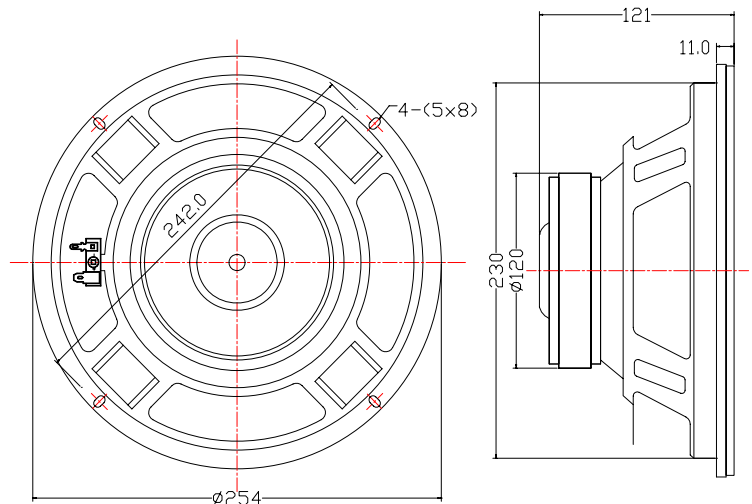


THIELE & SMALL PARAMETERS

Fs (Hz)	26
Re (Ohm)	6.2
Sd (sqmt)	0.035
Qms	3.53
Qes	0.33
Qts	0.30
Vas (it)	115.79
Mms (gr)	49.93
Bl (T/m)	11.74
Xmax (mm)	4
Hvc (mm)	14
Hag (mm)	6

PACKING INFORMATION

Net Weight (kg)	2.2
Gross Weight (kg)	3.2
Pieces per carton	1
Dimensions (cm)	28.4x28.4x14.2



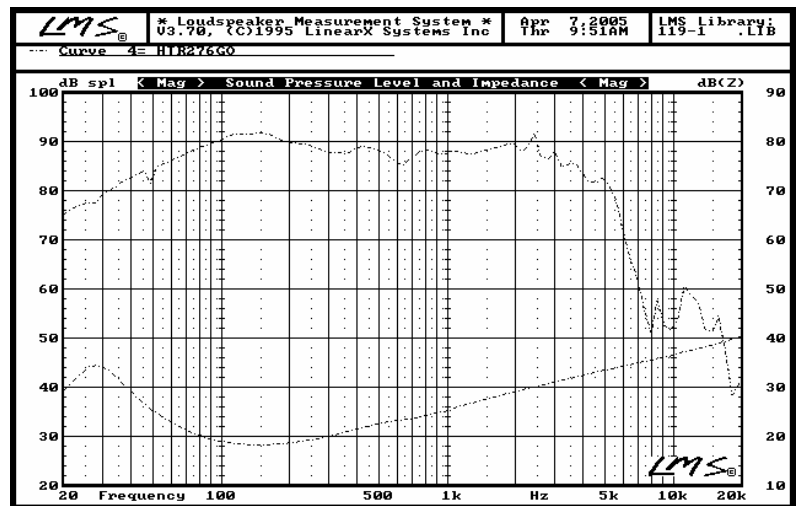
TECHNICAL DATA ARE MEASURED WITH LMS – EQUIPMENT ACCORDING EN – 60268 –5.

FOR PRODUCT IMPROVEMENT FDCAUDIO RESERVES ALTERATIONS IN SPECIFICATIONS AND DESIGN WITHOUT FURTHER ANNOUNCEMENT FOR TOLERANCES OF TECHNICAL DATA REFER TO FDCAUDIO 'S MANUAL OF TECHNICAL DATA

FOR INFORMATION CONTACT: TEL.:+86-592-2076023,FAX.:+86-592-2033445,E-MAIL:mengqi@fdcaudio.com

SPECIFICATIONS

Description	Mid-range
Size (in)	10
Nominal Diameter (mm)	276
Standard Impedance (Ohm)	8
Power RMS (Watts)	70
Power Program (Watts)	160
Sensitivity 1w/1m (dB)	88
Frequency Range (Hz)	27-6000
Basket Material	Stamped steel
Cone Material	Coated paper
Spider Material	Rubber
Magnet Material	Ferrite
Magnet Weight (oz)	29
Voice Coil Material	Copper
Former Material	Aluminium
Voice Coil Diameter (mm)	35

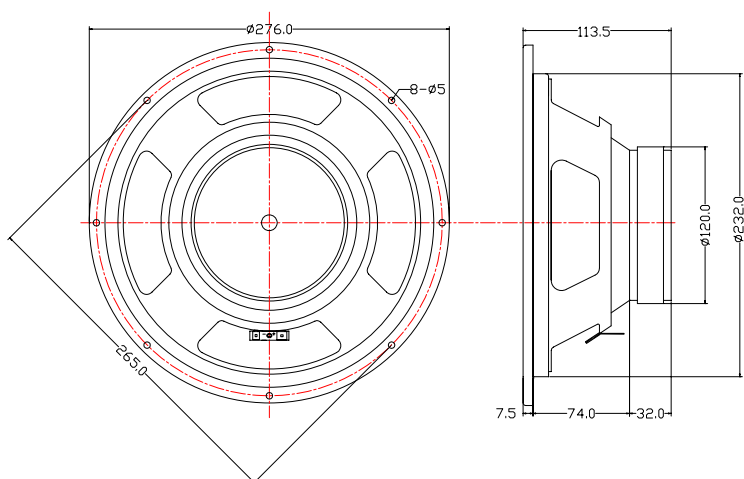


THIELE & SMALL PARAMETERS

Fs (Hz)	27
Re (Ohm)	6.2
Sd (sqm)	0.0346
Qms	2.13
Qes	0.29
Qts	0.25
Vas (it)	104.85
Mms (gr)	48.58
Bl (T/m)	14.05
Xmax (mm)	3.0
Hvc (mm)	12
Hag (mm)	6

PACKING INFORMATION

Net Weight (kg)	2.75
Gross Weight (kg)	3.13
Pieces per carton	
Dimensions (cm)	



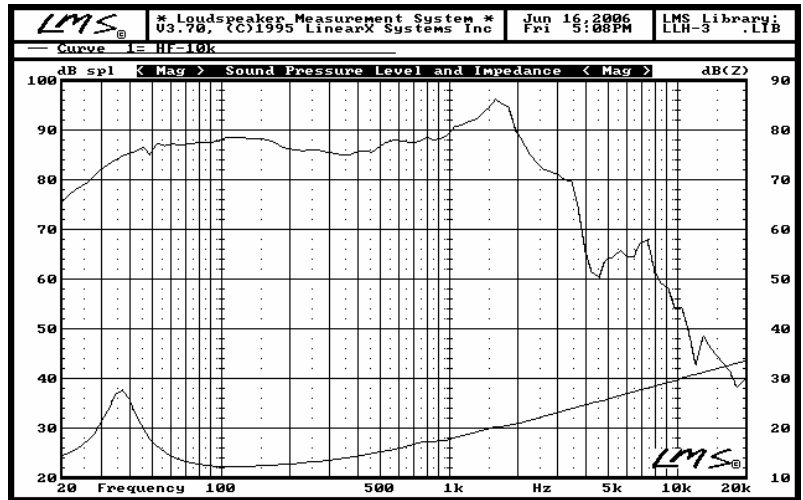
TECHNICAL DATA ARE MEASURED WITH LMS - EQUIPMENT ACCORDING EN - 60268 -5.

FOR PRODUCT IMPROVEMENT FDCAUDIO RESERVES ALTERATIONS IN SPECIFICATIONS AND DESIGN WITHOUT FURTHER ANNOUNCEMENT FOR TOLERANCES OF TECHNICAL DATA REFER TO FDCAUDIO 'S MANUAL OF TECHNICAL DATA

FOR INFORMATION CONTACT: TEL.:+86-592-2076023,FAX.:+86-592-2033445,E-MAIL:mengqi@fdcaudio.com

SPECIFICATIONS

Description	Woofers
Size (in)	10
Nominal Diameter (mm)	258
Standard Impedance (Ohm)	4
Power RMS (Watts)	100
Power Program (Watts)	200
Sensitivity 1w/1m (dB)	86
Frequency Range (Hz)	35-3000
Basket Material	Stamped steel
Cone Material	Coated Paper
Spider Material	Rubber
Magnet Material	Ferrite
Magnet Weight (oz)	29+19.5
Voice Coil Material	Copper
Former Material	Kapton
Voice Coil Diameter (mm)	50

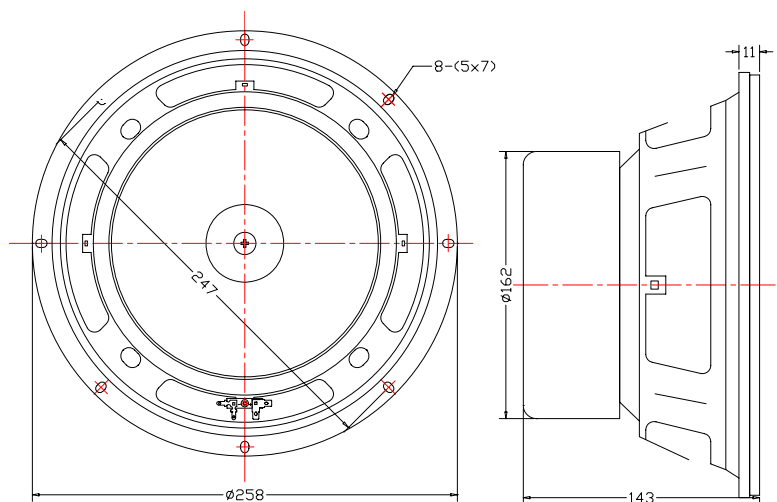


THIELE & SMALL PARAMETERS

Fs (Hz)	35
Re (Ohm)	3.5
Sd (sqm)	0.0363
Qms	4.6
Qes	0.74
Qts	0.64
Vas (it)	67.26
Mms (gr)	57.12
Bl (T/m)	7.73
Xmax (mm)	5.5
Hvc (mm)	16.5
Hag (mm)	6

PACKING INFORMATION

Net Weight (kg)	4.1
Gross Weight (kg)	4.15
Pieces per carton	
Dimensions (cm)	



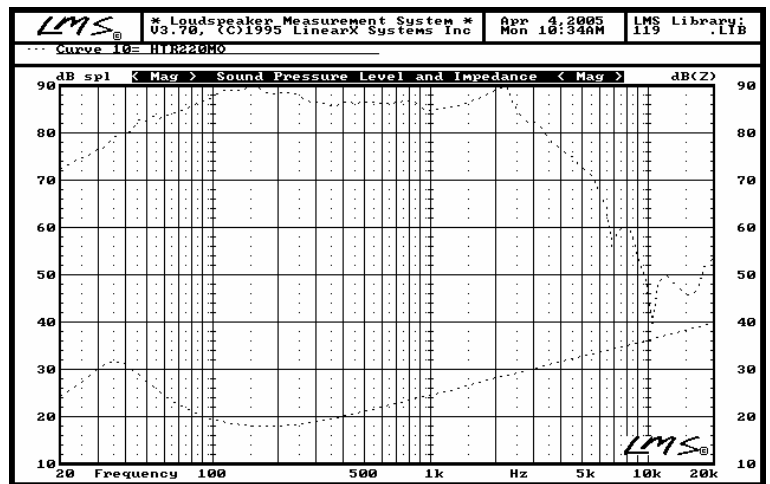
TECHNICAL DATA ARE MEASURED WITH LMS - EQUIPMENT ACCORDING EN - 60268 -5.

FOR PRODUCT IMPROVEMENT FDCAUDIO RESERVES ALTERATIONS IN SPECIFICATIONS AND DESIGN WITHOUT FURTHER ANNOUNCEMENT FOR TOLERANCES OF TECHNICAL DATA REFER TO FDCAUDIO 'S MANUAL OF TECHNICAL DATA

FOR INFORMATION CONTACT: TEL.:+86-592-2076023,FAX.:+86-592-2033445,E-MAIL:mengqi@fdcaudio.com

SPECIFICATIONS

Description	Mid-range
Size (in)	12
Nominal Diameter (mm)	305
Standard Impedance (Ohm)	8
Power RMS (Watts)	70
Power Program (Watts)	180
Sensitivity 1w/1m (dB)	88
Frequency Range (Hz)	35-5000
Basket Material	Stamped steel
Cone Material	Paper
Spider Material	Foam
Magnet Material	Ferrite
Magnet Weight (oz)	23
Voice Coil Material	Copper
Former Material	Aluminium
Voice Coil Diameter (mm)	35

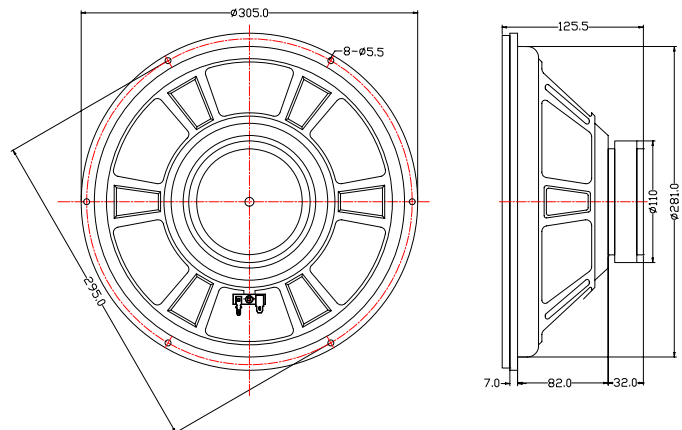


THIELE & SMALL PARAMETERS

Fs (Hz)	35
Re (Ohm)	6.2
Sd (sqm)	0.0495
Qms	3.24
Qes	0.47
Qts	0.41
Vas (it)	211.39
Mms (gr)	59.09
Bl (T/m)	11.64
Xmax (mm)	3
Hvc (mm)	12
Hag (mm)	6

PACKING INFORMATION

Net Weight (kg)	2.38
Gross Weight (kg)	2.67
Pieces per carton	
Dimensions (cm)	



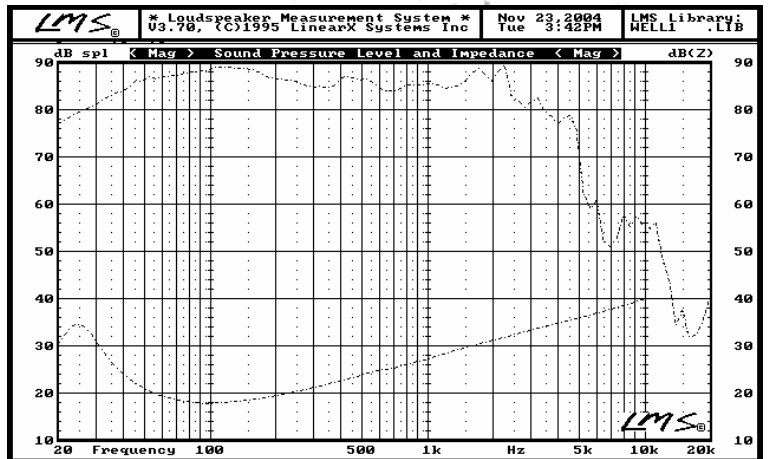
TECHNICAL DATA ARE MEASURED WITH LMS – EQUIPMENT ACCORDING EN – 60268 –5.

FOR PRODUCT IMPROVEMENT FDCAUDIO RESERVES ALTERATIONS IN SPECIFICATIONS AND DESIGN WITHOUT FURTHER ANNOUNCEMENT FOR TOLERANCES OF TECHNICAL DATA REFER TO FDCAUDIO 'S MANUAL OF TECHNICAL DATA

FOR INFORMATION CONTACT: TEL.:+86-592-2076023,FAX.:+86-592-2033445,E-MAIL:mengqi@fdcaudio.com

SPECIFICATIONS

Description	Woofer
Size (in)	12
Nominal Diameter (mm)	305
Standard Impedance (Ohm)	8
Power RMS (Watts)	90
Power Program (Watts)	180
Sensitivity 1w/1m (dB)	86
Frequency Range (Hz)	25-3500
Basket Material	Stamped steel
Cone Material	Coated Paper
Spider Material	Cloth
Magnet Material	Ferrite
Magnet Weight (oz)	29
Voice Coil Material	Copper
Former Material	Aluminium
Voice Coil Diameter (mm.)	50

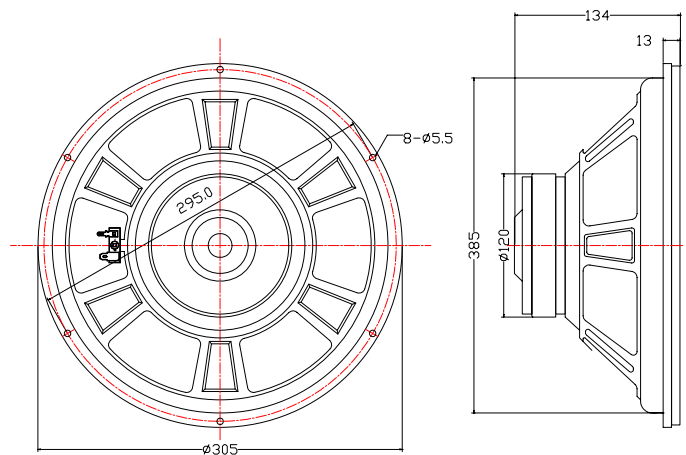


THIELE & SMALL PARAMETERS

Fs (Hz)	25
Re (Ohm)	6.2
Sd (sqmt)	0.051
Qms	2.80
Qes	0.37
Qts	0.33
Vas (it)	188.89
Mms (gr)	81.71
Bl (T/m)	14.62
Xmax (mm)	4
Hvc (mm)	16
Hag (mm)	8

PACKING INFORMATION

Net Weight (kg)	3
Gross Weight (kg)	4
Pieces per carton	1
Dimensions (cm)	33X33X14



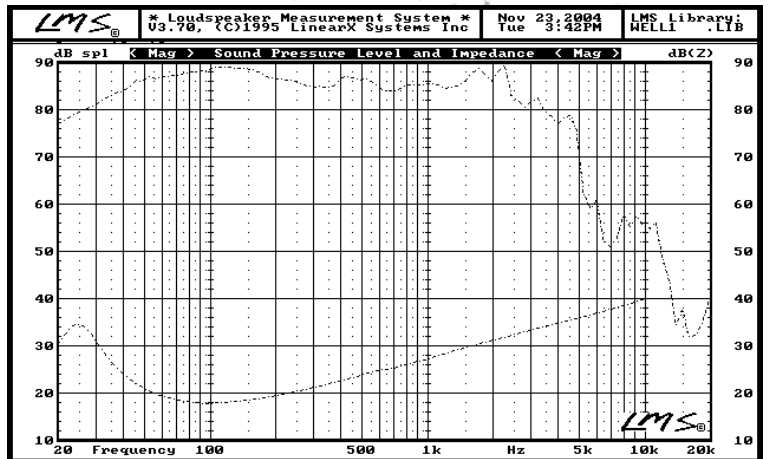
TECHNICAL DATA ARE MEASURED WITH LMS - EQUIPMENT ACCORDING EN - 60268 -5.

FOR PRODUCT IMPROVEMENT FDCAUDIO RESERVES ALTERATIONS IN SPECIFICATIONS AND DESIGN WITHOUT FURTHER ANNOUNCEMENT FOR TOLERANCES OF TECHNICAL DATA REFER TO FDCAUDIO 'S MANUAL OF TECHNICAL DATA

FOR INFORMATION CONTACT: TEL.:+86-592-2076023,FAX.:+86-592-2033445,E-MAIL:mengqi@fdcaudio.com

SPECIFICATIONS

Description	Woofer
Size (in)	12
Nominal Diameter (mm)	305
Standard Impedance (Ohm)	8
Power RMS (Watts)	90
Power Program (Watts)	180
Sensitivity 1w/1m (dB)	90
Frequency Range (Hz)	25-1800
Basket Material	Stamped steel
Cone Material	Coated Paper
Spider Material	Rubbe
Magnet Material	Ferrite
Magnet Weight (oz)	29
Voice Coil Material	Copper
Former Material	Aluminium
Voice Coil Diameter (mm.)	50

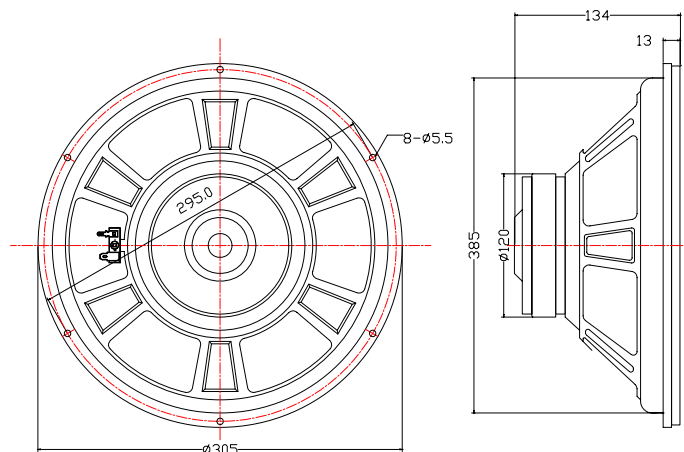


THIELE & SMALL PARAMETERS

Fs (Hz)	25
Re (Ohm)	6.2
Sd (sqmt)	0.049
Qms	4.60
Qes	0.56
Qts	0.50
Vas (it)	165.61
Mms (gr)	76.5
Bl (T/m)	11.12
Xmax (mm)	5
Hvc (mm)	16
Hag (mm)	6

PACKING INFORMATION

Net Weight (kg)	3
Gross Weight (kg)	4
Pieces per carton	1
Dimensions (cm)	33X33X14



TECHNICAL DATA ARE MEASURED WITH LMS - EQUIPMENT ACCORDING EN - 60268 -5.

FOR PRODUCT IMPROVEMENT FDCAUDIO RESERVES ALTERATIONS IN SPECIFICATIONS AND DESIGN WITHOUT FURTHER ANNOUNCEMENT FOR TOLERANCES OF TECHNICAL DATA REFER TO FDCAUDIO 'S MANUAL OF TECHNICAL DATA

FOR INFORMATION CONTACT: TEL.:+86-592-2076023,FAX.:+86-592-2033445,E-MAIL:mengqi@fdcaudio.com

SPECIFICATIONS

Description	Woofer
Size (in)	12
Nominal Diameter (mm)	304
Standard Impedance (Ohm)	48
Power RMS (Watts)	150
Power Program (Watts)	300
Sensitivity 1w/1m (dB)	87
Frequency Range (Hz)	30-3000
Basket Material	Stamped steel
Cone Material	Coated Paper
Spider Material	Rubber
Magnet Material	Ferrite
Magnet Weight (oz)	39.8+25.7
Voice Coil Material	Copper
Former Material	Kapton
Voice Coil Diameter (mm)	65

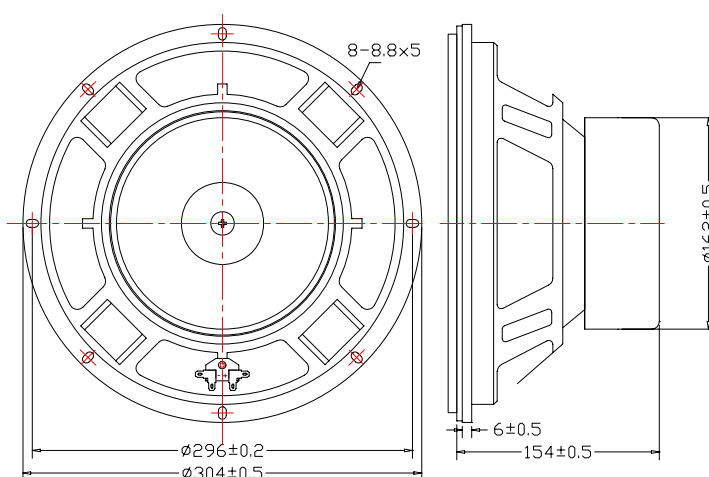
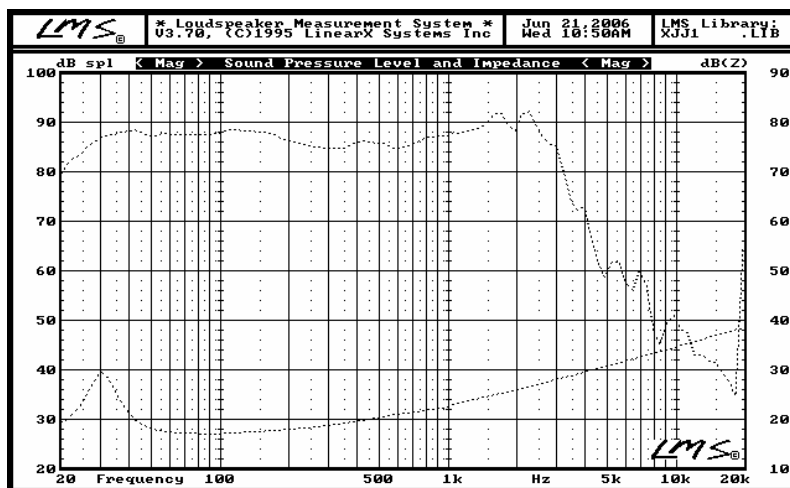


THIELE & SMALL PARAMETERS

Fs (Hz)	30
Re (Ohm)	6.2
Sd (sqmt)	0.049
Qms	4.118
Qes	1.066
Qts	0.847
Vas (it)	96.99
Mms (gr)	97.46
Bl (T/m)	10.37
Xmax (mm)	5.0
Hvc (mm)	18
Hag (mm)	8

PACKING INFORMATION

Net Weight (kg)	5.8
Gross Weight (kg)	6.3
Pieces per carton	
Dimensions (cm)	



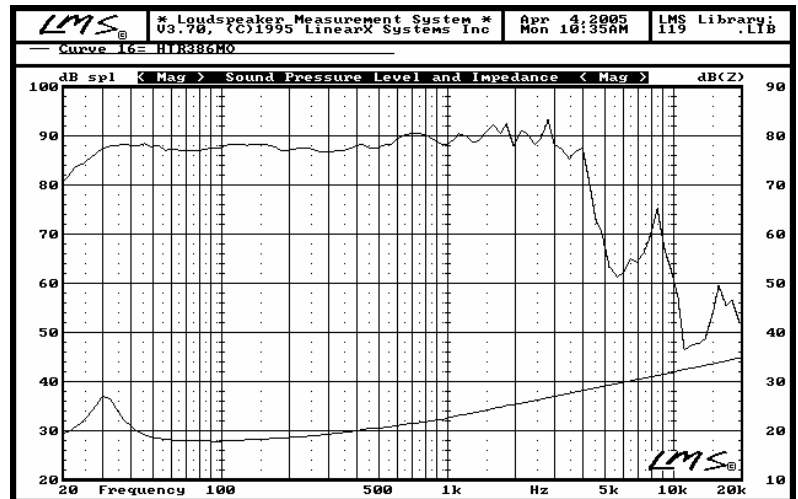
TECHNICAL DATA ARE MEASURED WITH LMS – EQUIPMENT ACCORDING EN – 60268 –5.

FOR PRODUCT IMPROVEMENT FDCAUDIO RESERVES ALTERATIONS IN SPECIFICATIONS AND DESIGN WITHOUT FURTHER ANNOUNCEMENT FOR TOLERANCES OF TECHNICAL DATA REFER TO FDCAUDIO 'S MANUAL OF TECHNICAL DATA

FOR INFORMATION CONTACT: TEL.:+86-592-2076023,FAX.:+86-592-2033445,E-MAIL:mengqi@fdcaudio.com

SPECIFICATIONS

Description	Mid-range
Size (in)	15
Nominal Diameter (mm)	386
Standard Impedance (Ohm)	8
Power RMS (Watts)	80
Power Program (Watts)	200
Sensitivity 1w/1m (dB)	89
Frequency Range (Hz)	32-4500
Basket Material	Stamped steel
Cone Material	Paper
Spider Material	Foam
Magnet Material	Ferrite
Magnet Weight (oz)	29
Voice Coil Material	Copper
Former Material	Aluminium
Voice Coil Diameter (mm)	50

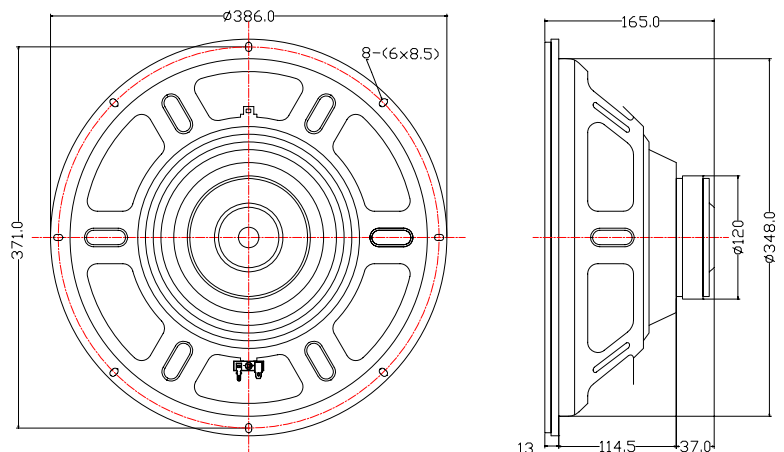


THIELE & SMALL PARAMETERS

Fs (Hz)	32
Re (Ohm)	6.8
Sd (sqm)	0.1044
Qms	4.04
Qes	1.82
Qts	1.25
Vas (it)	428.78
Mms (gr)	98.49
Bl (T/m)	8.40
Xmax (mm)	3.6
Hvc (mm)	13.2
Hag (mm)	6

PACKING INFORMATION

Net Weight (kg)	3.3
Gross Weight (kg)	4.2
Pieces per carton	
Dimensions (cm)	



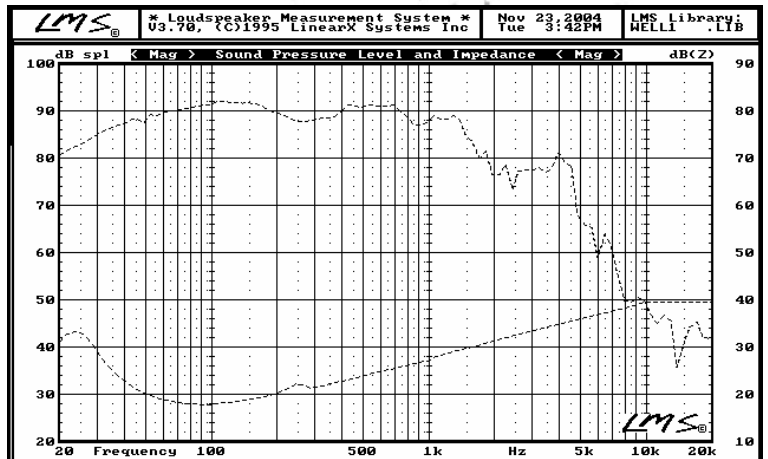
TECHNICAL DATA ARE MEASURED WITH LMS – EQUIPMENT ACCORDING EN – 60268 –5.

FOR PRODUCT IMPROVEMENT FDCAUDIO RESERVES ALTERATIONS IN SPECIFICATIONS AND DESIGN WITHOUT FURTHER ANNOUNCEMENT FOR TOLERANCES OF TECHNICAL DATA REFER TO FDCAUDIO 'S MANUAL OF TECHNICAL DATA

FOR INFORMATION CONTACT: TEL.:+86-592-2076023,FAX.:+86-592-2033445,E-MAIL:mengqi@fdcaudio.com

SPECIFICATIONS

Description	Woofer
Size (in)	15
Nominal Diameter (mm)	386
Standard Impedance (Ohm)	8
Power RMS (Watts)	100
Power Program (Watts)	200
Sensitivity 1w/1m (dB)	89
Frequency Range (Hz)	25-1400
Basket Material	Stamped steel
Cone Material	Coated Paper
Spider Material	Cloth
Magnet Material	Ferrite
Magnet Weight (oz)	40
Voice Coil Material	Copper
Former Material	Aluminium
Voice Coil Diameter (mm.)	50

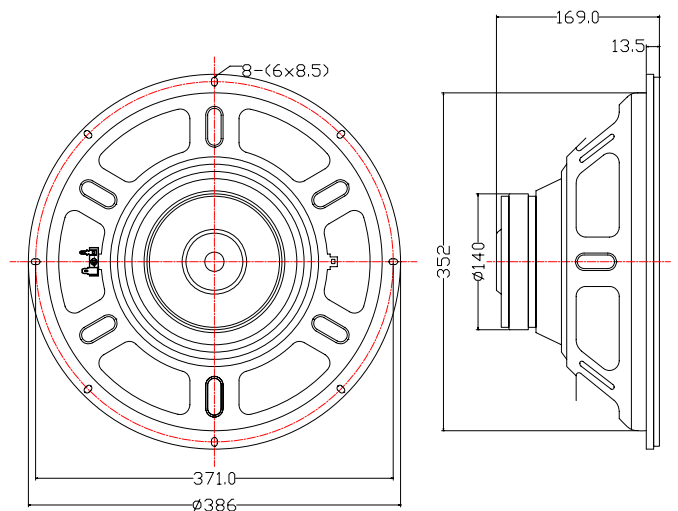


THIELE & SMALL PARAMETERS

Fs (Hz)	25
Re (Ohm)	6.2
Sd (sqmt)	0.084
Qms	2.64
Qes	0.42
Qts	0.36
Vas (it)	336.07
Mms (gr)	124.28
Bl (T/m)	16.92
Xmax (mm)	4
Hvc (mm)	16
Hag (mm)	8

PACKING INFORMATION

Net Weight (kg)	4.5
Gross Weight (kg)	6
Pieces per carton	1
Dimensions (cm)	40.7x40.7x18.6



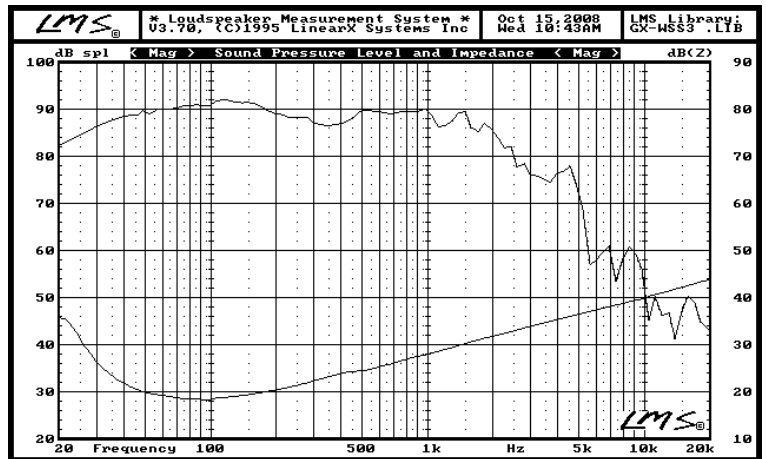
TECHNICAL DATA ARE MEASURED WITH LMS - EQUIPMENT ACCORDING EN - 60268 -5.

FOR PRODUCT IMPROVEMENT FDCAUDIO RESERVES ALTERATIONS IN SPECIFICATIONS AND DESIGN WITHOUT FURTHER ANNOUNCEMENT FOR TOLERANCES OF TECHNICAL DATA REFER TO FDCAUDIO 'S MANUAL OF TECHNICAL DATA

FOR INFORMATION CONTACT: TEL.:+86-592-2076023,FAX.:+86-592-2033445,E-MAIL:mengqi@fdcaudio.com

SPECIFICATIONS

Description	Woofer
Size (in)	15
Nominal Diameter (mm)	386
Standard Impedance (Ohm)	8
Power RMS (Watts)	100
Power Program (Watts)	200
Sensitivity 1w/1m (dB)	90
Frequency Range (Hz)	20-1800
Basket Material	Stamped steel
Cone Material	Coated Paper
Spider Material	Rubbe
Magnet Material	Ferrite
Magnet Weight (oz)	40
Voice Coil Material	Copper
Former Material	Aluminium
Voice Coil Diameter (mm.)	50

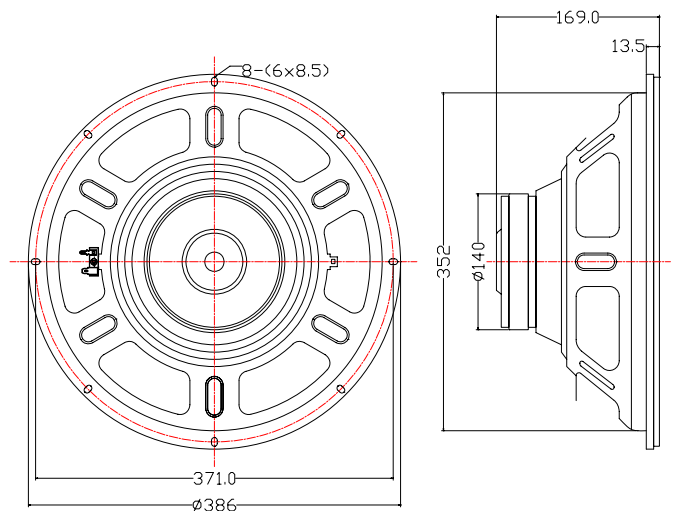


THIELE & SMALL PARAMETERS

Fs (Hz)	21
Re (Ohm)	6.8
Sd (sqmt)	0.082
Qms	3.85
Qes	0.45
Qts	0.41
Vas (it)	345.21
Mms (gr)	161.27
Bl (T/m)	16.87
Xmax (mm)	5
Hvc (mm)	18
Hag (mm)	8

PACKING INFORMATION

Net Weight (kg)	4.5
Gross Weight (kg)	6
Pieces per carton	1
Dimensions (cm)	40.7x40.7x18.6



TECHNICAL DATA ARE MEASURED WITH LMS – EQUIPMENT ACCORDING EN – 60268 –5.

FOR PRODUCT IMPROVEMENT FDCAUDIO RESERVES ALTERATIONS IN SPECIFICATIONS AND DESIGN WITHOUT FURTHER ANNOUNCEMENT FOR TOLERANCES OF TECHNICAL DATA REFER TO FDCAUDIO 'S MANUAL OF TECHNICAL DATA

FOR INFORMATION CONTACT: TEL.:+86-592-2076023,FAX.:+86-592-2033445,E-MAIL:mengqi@fdcaudio.com