



**Notes:**

**66 mm fullrange**

- cone: paper
- dustcap: paper
- edge: treated cloth
- gasket: treated paper
- voice coil: paper
- magnet: ferrit

**Terminals:**

- "+" 2.8 x 0.5 mm
- "-" 2.8 x 0.5 mm

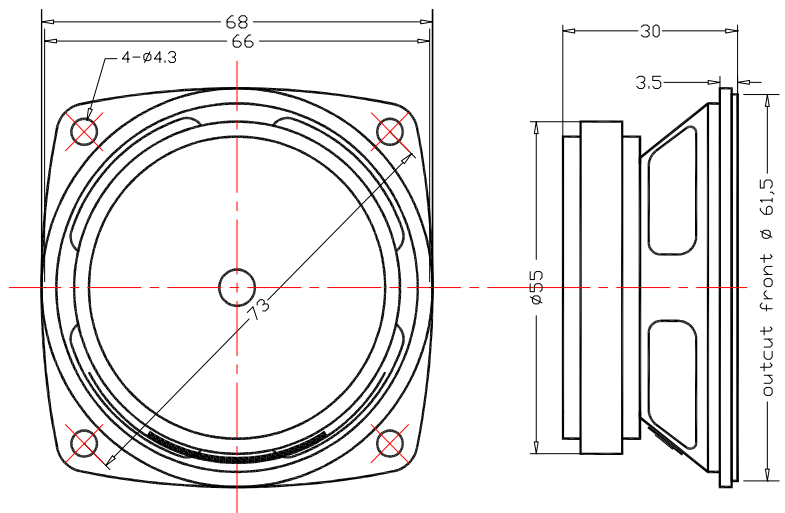
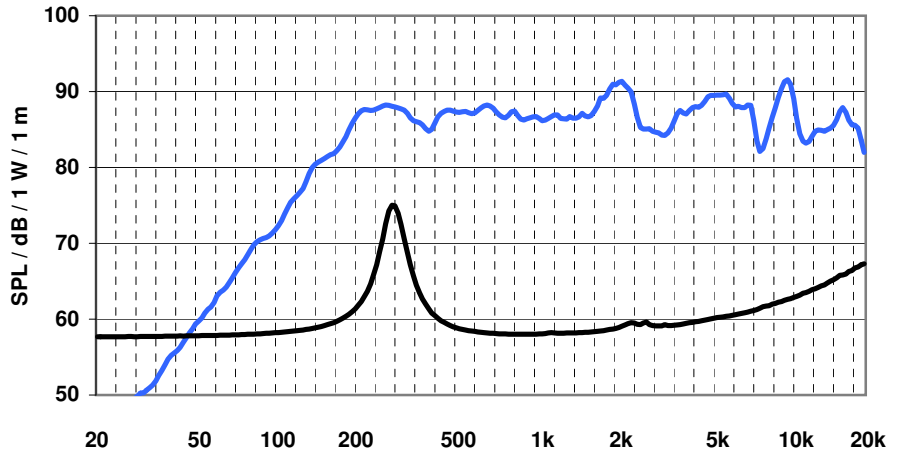
**Technical data ( EN ):**

- nom impedance 8 Ω
- nom. power 6 watts
- peak SPL 92 dB
- sensitivity 86 dB
- average SPL 86 dB
- res. frequency 280 Hz
- freq. Range ( -10 dB ):  
120 to 20000 Hz
- Xmax +/- 1 mm
- total weight 0,19 kg
- magnet weight 2 oz
- voice coil Ø 13 mm

**Thiele / Small parameter:**

- Re 7,5 Ω
- Qms 3,1
- Qes 1,5
- Qts 1,0
- VAS 0,3 Liter
- Mms 0,7 g
- Rms 0,45 kg / s
- Cms 0,45 mm / N
- B \* L 2,4 Tm
- Sd 23 cm<sup>2</sup>
- Le 0,01 mH

Frequenzgang / frequency response



**Remarks:**

small 66 mm fullrange speaker with high SPL output and linear frequency response  
 For use in speaker columns, constructions for ceilings, alarm systems, PA systems for music and speech

THCHNICAL DATA ARE MEASURED WITH LMS – EQUIPMENT ACCORDING EN – 60268 – 5  
 FOR PRODUCT IMPROVEMENT FDCAUDIO RESERVES ALTERATIONS IN SPECIFICATIONS AND DESIGN WITHOUT FURTHER  
 ANNOUNCEMENT FOR TOLERANCES OF TECHNICAL DATA REFER TO FDCAUDIO'S MANUAL OF TECHNICAL DATA  
 FOR INFORMATION CONTACT: TEL: +86-592-2076023 FAX: +86-592-2033445 E-MAIL: mengqi@fdcaudio.com