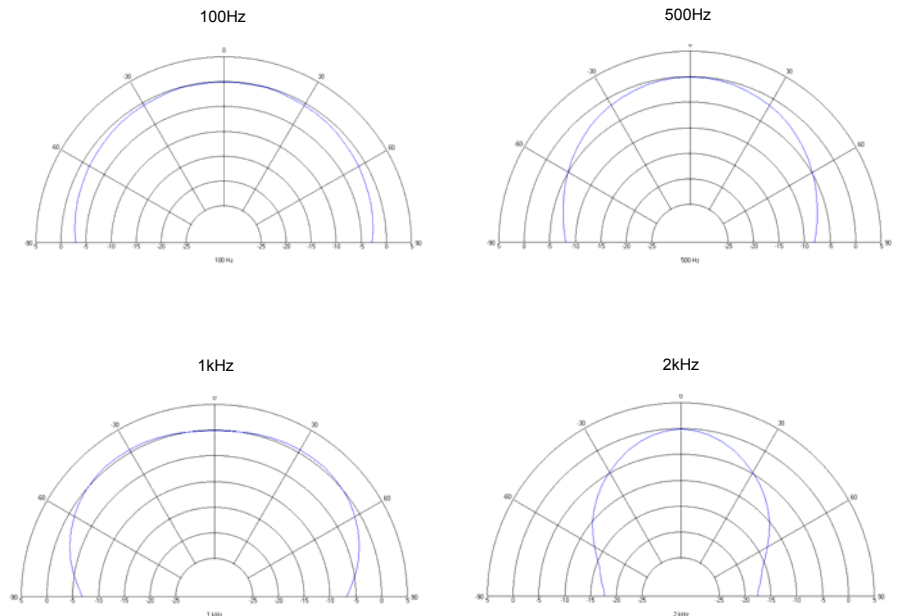
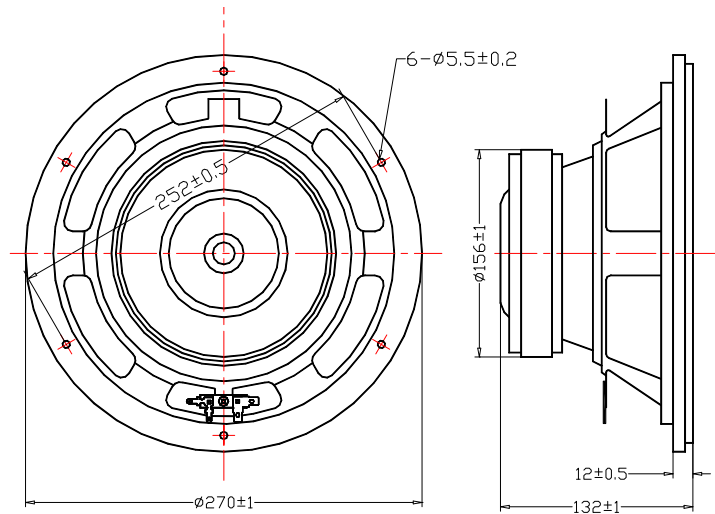


Notes:

250 mm high power
woofer,
oil coated paper cone
and dustcap,
rubber edge,
foam gasket,
outcut Ø 230 mm,
terminals:
“+” 4.8 x 0.8 mm
“-” 2.8 x 0.8 mm

impedance: 4/8 Ω
nom. power: 150 watts
SPL 1W/1m 91.5 dB
fs: 40 Hz
Re: 3.3/7.4 Ω
Le: 0.9 mH
Qms: 5.4
Qes: 0.36
Qts: 0.33
VAS : 50 l
Mms : 52 g
Rms : 2.66 kg/s
Cms: 0.3 mm/N
B*I: 10.6 Tm
Sd: 346 cm²
Xmax: +/- 4 mm
weight: 4.55 kg
magnet: 40 oz
voice coil Ø: 66 mm



TECHNICAL DATA ARE MEASURED WITH LMS – EQUIPMENT ACCORDING EN – 60268 – 5
FOR PRODUCT IMPROVEMENT FDCAUDIO RESERVES ALTERATIONS IN SPECIFICATIONS AND DESIGN WITHOUT FURTHER
ANNOUNCEMENT FOR TOLERANCES OF TECHNICAL DATA REFER TO FDCAUDIO'S MANUAL OF TECHNICAL DATA
FOR INFORMATION CONTACT: TEL: +86-592-2076023 FAX: +86-592-2033445 E-MAIL: mengqi@fdcaudio.com