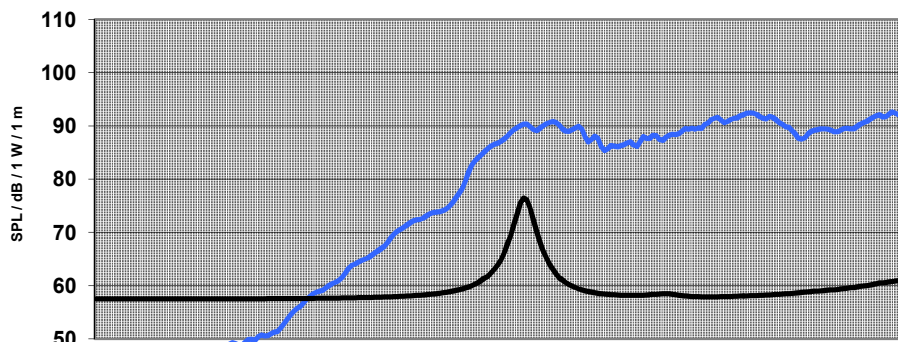




Frequenzgang / frequency response



Notes:

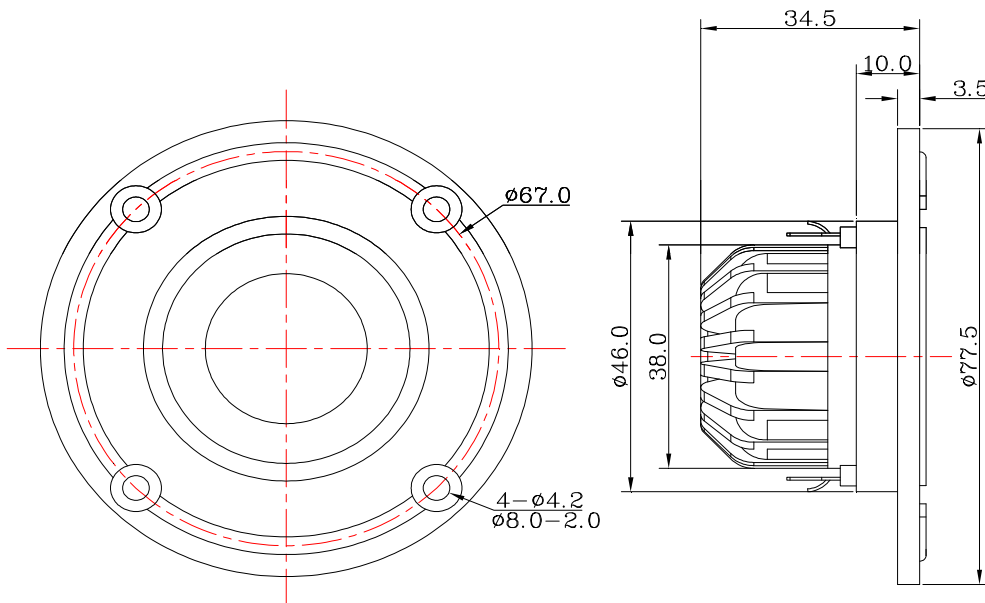
cone: treated silk dome
 front: ABS
 voice coil: NSV
 magnet: neodym N 35

Terminals:

"+" 4.8 x 0.8 mm
 "-" 2.8 x 0.8 mm

Technical data (EN):

nom impedance 8 Ω
 nom. power 20 watts*
 peak SPL 93 dB
 sensitivity 91 dB
 average SPL 89 dB
 res. frequency 760 Hz
 freq. Range (-10 dB):
 F0 to 20000 Hz
 Xmax +/- 0,8 mm
 total weight 0,083 kg
 voice coil Ø 25 mm
 *power with 2,2 mF/100 V



Thiele / Small parameter:

Re 7,1 Ω
 Qms 3,98
 Qes 1,71
 Qts 1,2

Remarks:

heat test: 70 ° 16 hours
 cold test: -25 ° 16 hours
 humidity & heat test: 40 ° 96 hours

TECHNICAL DATA ARE MEASURED WITH LMS – EQUIPMENT ACCORDING EN – 60268 – 5
 FOR PRODUCT IMPROVEMENT FDCAUDIO RESERVES ALTERATIONS IN SPECIFICATIONS AND DESIGN WITHOUT FURTHER
 ANNOUNCEMENT FOR TOLERANCES OF TECHNICAL DATA REFER TO FDCAUDIO'S MANUAL OF TECHNICAL DATA
 FOR INFORMATION CONTACT: TEL: +86-592-2076023 FAX: +86-592-2033445 E-MAIL: mengqi@fdcaudio.com