



Notes:

106 x 68 mm TV fullrange

| | |
|-------------|-----------------------------|
| cone: | paper |
| dustcap: | paper |
| edge: | foam |
| gasket: | paper |
| voice coil: | alu |
| magnet: | double magnet and metal cap |

Terminals:

| | |
|-----|--------------|
| "+" | 2.8 x 0.5 mm |
| "-" | 2.8 x 0.5 mm |

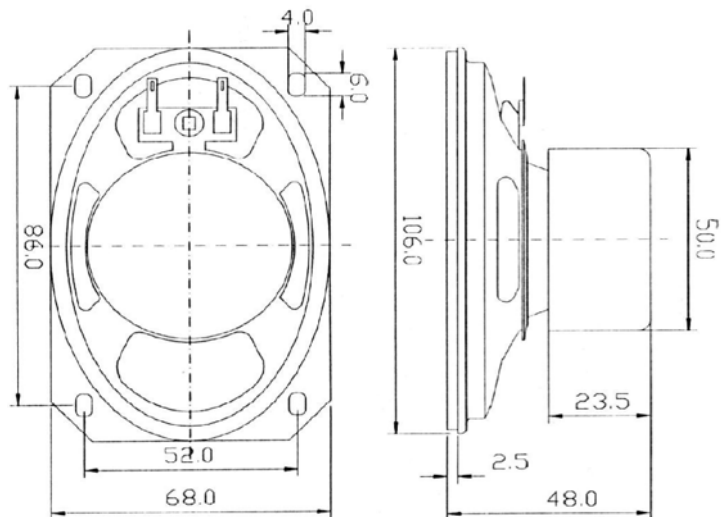
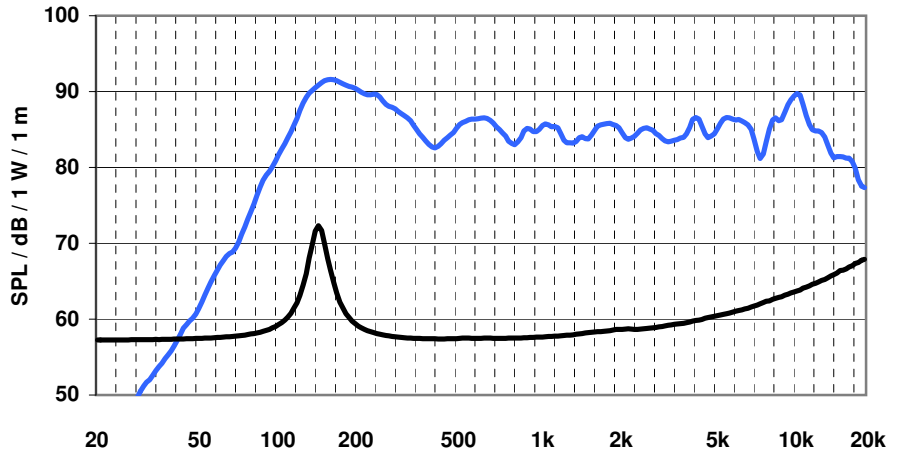
Technical data (EN):

| | |
|-------------------------|----------------|
| nom impedance | 8 Ω |
| nom. power | 5 watts |
| peak SPL | 92 dB |
| sensitivity | 90 dB |
| average SPL | 86 dB |
| res. frequency | 150 Hz |
| freq. Range (-10 dB): | |
| | 90 to 17900 Hz |
| Xmax +/- | 1 mm |
| total weight | 0,25 kg |
| magnet weight | 4 oz |
| voice coil Ø | 13 mm |

Thiele / Small parameter:

| | |
|-------|--------------------|
| Re | 7,0 Ω |
| Qms | 4,9 |
| Qes | 1,9 |
| Qts | 1,3 |
| VAS | 1,3 Liter |
| Mms | 1,7 g |
| Rms | 0,4 kg / s |
| Cms | 0,7 mm / N |
| B * L | 2,4 Tm |
| Sd | 38 cm ² |
| Le | 0,17 mH |

Frequenzgang / frequency response



Remarks:

106 x 68 mm fullrange speaker
 shielded with double magnet and metal cap
 linear frequency response
 for use in TV, center speakers and everywhere,
 where small shielded speakers with good sound
 are required

TECHNICAL DATA ARE MEASURED WITH LMS – EQUIPMENT ACCORDING EN – 60268 – 5
 FOR PRODUCT IMPROVEMENT FDCAUDIO RESERVES ALTERATIONS IN SPECIFICATIONS AND DESIGN WITHOUT FURTHER
 ANNOUNCEMENT FOR TOLERANCES OF TECHNICAL DATA REFER TO FDCAUDIO'S MANUAL OF TECHNICAL DATA
 FOR INFORMATION CONTACT: TEL: +86-592-2076023 FAX: +86-592-2033445 E-MAIL: mengqi@fdcaudio.com