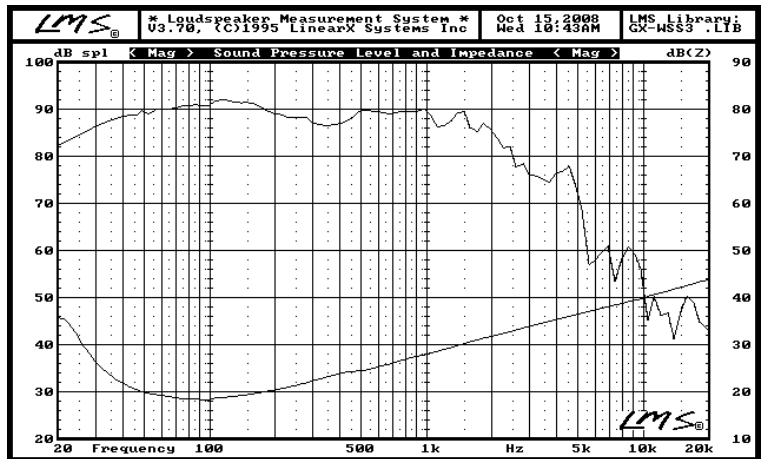


SPECIFICATIONS

Description	Woofer
Size (in)	15
Nominal Diameter (mm)	386
Standard Impedance (Ohm)	8
Power RMS (Watts)	100
Power Program (Watts)	200
Sensitivity 1w/1m (dB)	90
Frequency Range (Hz)	20-1800
Basket Material	Stamped steel
Cone Material	Coated Paper
Spider Material	Rubbe
Magnet Material	Ferrite
Magnet Weight (oz)	40
Voice Coil Material	Copper
Former Material	Aluminium
Voice Coil Diameter (mm.)	50

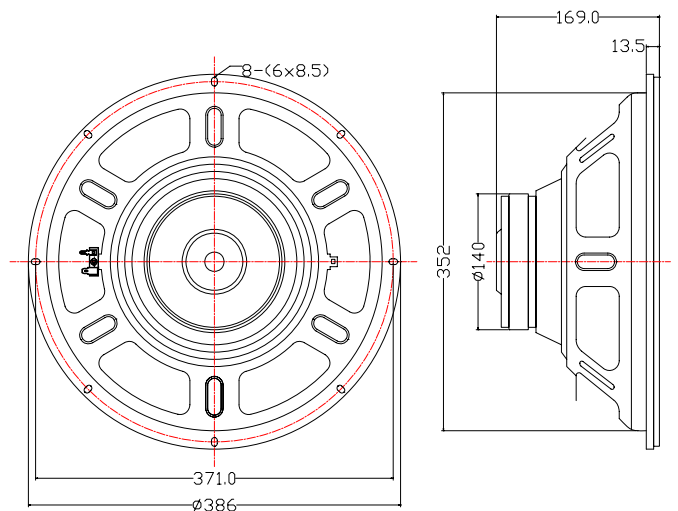


THIELE & SMALL PARAMETERS

Fs (Hz)	21
Re (Ohm)	6.8
Sd (sqmt)	0.082
Qms	3.85
Qes	0.45
Qts	0.41
Vas (it)	345.21
Mms (gr)	161.27
Bl (T/m)	16.87
Xmax (mm)	5
Hvc (mm)	18
Hag (mm)	8

PACKING INFORMATION

Net Weight (kg)	4.5
Gross Weight (kg)	6
Pieces per carton	1
Dimensions (cm)	40.7x40.7x18.6



TECHNICAL DATA ARE MEASURED WITH LMS – EQUIPMENT ACCORDING EN – 60268 –5.

FOR PRODUCT IMPROVEMENT FDCAUDIO RESERVES ALTERATIONS IN SPECIFICATIONS AND DESIGN WITHOUT FURTHER ANNOUNCEMENT FOR TOLERANCES OF TECHNICAL DATA REFER TO FDCAUDIO 'S MANUAL OF TECHNICAL DATA

FOR INFORMATION CONTACT: TEL.:+86-592-2076023,FAX.:+86-592-2033445,E-MAIL:mengqi@fdcaudio.com