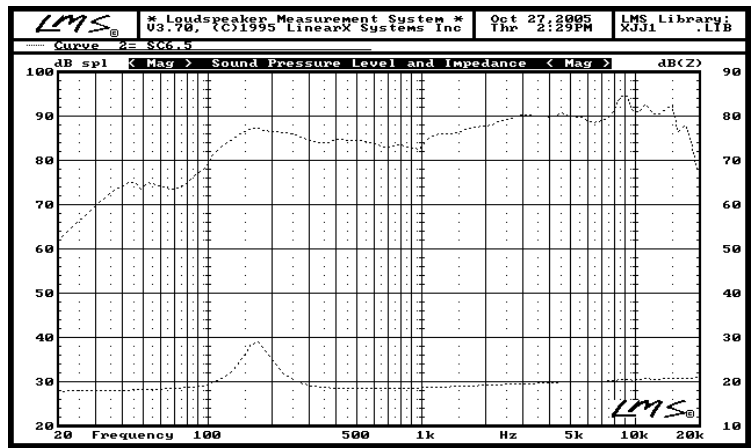


SPECIFICATIONS

Description	Full Range
Size (in)	3
Nominal Diameter (mm)	78
Standard Impedance (Ohm)	8
Power RMS (Watts)	15
Power Program (Watts)	30
Sensitivity 1w/1m (dB)	86
Frequency Range (Hz)	175-20,000
Basket Material	Stamped steel
Cone Material	Coated paper
Spider Material	Cloth
Magnet Material	Ferrite
Magnet Weight (oz)	12.4
Voice Coil Material	NSV
Former Material	Aluminium
Voice Coil Diameter (mm)	20

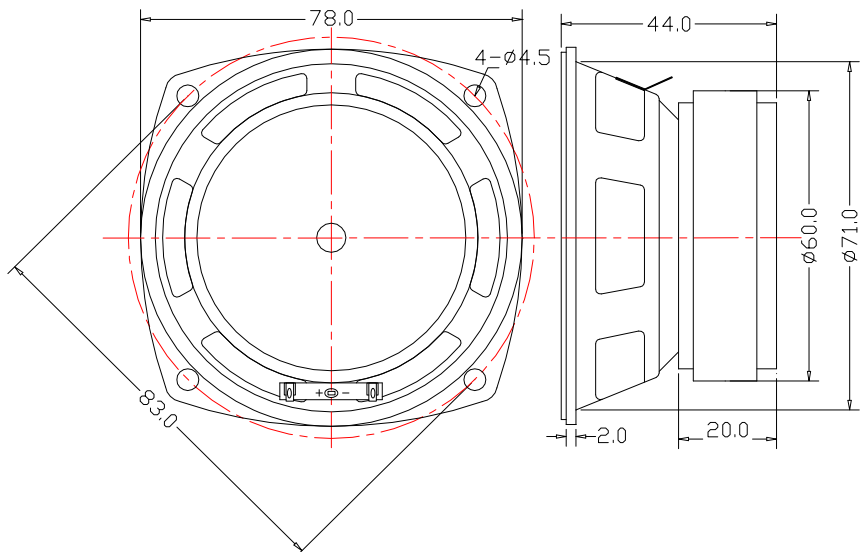


THIELE & SMALL PARAMETERS

Fs (Hz)	175
Re (Ohm)	6.8
Sd (sqm)	0.0029
Qms	4.38
Qes	1.26
Qts	0.98
Vas (it)	0.62
Mms (gr)	1.66
Bl (T/m)	3.11
Xmax (mm)	0.8
Hvc (mm)	5.5
Hag (mm)	4

PACKING INFORMATION

Net Weight (kg)	0.95
Gross Weight (kg)	
Pieces per carton	
Dimensions (cm)	



TECHNICAL DATA ARE MEASURED WITH LMS - EQUIPMENT ACCORDING EN - 60268 -5.

FOR PRODUCT IMPROVEMENT FDCAUDIO RESERVES ALTERATIONS IN SPECIFICATIONS AND DESIGN WITHOUT FURTHER ANNOUNCEMENT FOR TOLERANCES

OF TECHNICAL DATA REFER TO FDCAUDIO 'S MANUAL OF TECHNICAL DATA

FOR INFORMATION CONTACT: TEL.:+86-592-2076023,FAX.:+86-592-2033445,E-MAIL:mengqi@fdcaudio.com